

**Meeting Members:**  
Karen Mills, Chairman  
Gary Pilafas, Vice Chairman  
Anna Newell, Trustee  
Gary Stanton, Trustee  
Karen Arnet, Trustee  
Patrick Kinnane, Trustee  
William McLeod, Mayor

## Village of Hoffman Estates

### Special

#### Public Health and Safety Committee Meeting Agenda

January 15, 2024

7:00 pm

Village Hall, 1900 Hassell Road, Hoffman Estates, IL 60169

- 
- I. Roll Call
  - II. Public Comment

#### NEW BUSINESS

1. Request authorization to waive formal bid and purchase one (1) Pierce Velocity PUC pumper (engine) from MacQueen Emergency Group of Aurora, Illinois (the exclusive Illinois Pierce Fire Apparatus dealer) in a total amount not to exceed \$1,247,500 (Sourcewell Purchasing Cooperative pricing), and authorization to the Village Manager for change orders not to exceed 5% of the purchase price, if necessary.
2. Request authorization to waive formal bid and purchase one (1) Horton Type 1 ambulance on a 2025 Freightliner M2 chassis from Foster Coach Sales of Sterling, Illinois in a total amount not to exceed \$465,687 (Suburban Purchasing Cooperative pricing), and authorization to the Village Manager for change orders not to exceed \$25,000, if necessary.

- III. Adjournment

**COMMITTEE AGENDA ITEM  
VILLAGE OF HOFFMAN ESTATES**

**SUBJECT:** **REQUEST AUTHORIZATION TO WAIVE FORMAL BID AND PURCHASE ONE (1) PIERCE VELOCITY PUC FIRE PUMPER FROM MACQUEEN EMERGENCY GROUP OF AURORA, ILLINOIS (THE EXCLUSIVE ILLINOIS PIERCE FIRE APPARATUS DEALER) IN A TOTAL AMOUNT NOT TO EXCEED \$1,247,500 (SOURCEWELL PURCHASING COOPERATIVE PRICING), AND AUTHORIZATION TO THE VILLAGE MANAGER FOR CHANGE ORDERS NOT TO EXCEED 5% OF THE PURCHASE PRICE, IF NECESSARY**

**MEETING DATE:** **January 15, 2024**

**COMMITTEE:** **Public Health and Safety Committee**

**FROM:** **Alan Wax, Fire Chief** *AW*

**PURPOSE:** The Fire Department requests authorization to waive formal bid and purchase one (1) Pierce Velocity PUC pumper (engine) from MacQueen Emergency Group of Aurora (the exclusive Illinois Pierce Fire Apparatus dealer) in a total amount not to exceed \$1,247,500 (Sourcewell Purchasing Cooperative pricing), and authorization to the Village Manager for change orders not to exceed 5% of the purchase price, if necessary.

**BACKGROUND:** The Fire Department's Equipment Replacement Schedule includes the replacement of an engine in 2026. Due to issues in the market, the current expected delivery time on engines is approximately four years. The Department is still waiting for delivery of two engines ordered in February of 2022. Thus, the Village's FY2024–FY2028 Capital Improvements Program (CIP) includes the scheduled 2026 ambulance replacement in 2024, knowing that it may not arrive until 2028. The engine to be replaced is expected to have over 115,000 miles and 11,000 motor hours in four years when its replacement arrives.

**DISCUSSION:** This proposed engine consists of the same specification as was ordered for the two engines in 2022, with necessary adjustments for an updated chassis and equipment no longer available. The price reflects the current purchasing cooperative price for the engine. Payment is due on delivery. A pre-payment discount of \$134,792 is available if paid-in-full at contract signing, however Staff does not recommend such since delivery time is approximately four years.

**FINANCIAL IMPACT:** The FY2024 Capital Budget includes the replacement of the engine. The cost of the engine, as specified, is \$1,247,500. This is under the budgeted amount. Staff has learned that the prices for engines will be increasing 1.5% in February, which would increase the price of the vehicle by nearly \$19,000. Staff intends to place the order immediately, thus maintaining the current price and saving the pending increase.

The funds included in the 2024 Budget will not be expended until actual delivery occurs (likely in late 2027 or early 2028); the funds allocated for 2024 will “roll-over” from year-to-year until time of delivery.

Staff also recognizes that there is a possibility of the need for change orders, especially if there were to be regulatory changes (though we are not aware of any on the horizon). Additionally, as a vehicle is built, there may be adjustments necessary that could involve cost additions or subtractions. Staff does not recommend adding a contingency for such to the contract with the manufacturer, but requests that the Board grant the Village Manager authority to approve such changes, up to 5% of the purchase price.

**RECOMMENDATION:** Staff recommends approval of the purchase of one (1) Pierce Velocity PUC pumper (engine) from MacQueen Emergency Group of Aurora in a total amount not to exceed \$1,247,500, and authorization to the Village Manager for change orders not to exceed a cumulative total of 5% of the purchase price, if necessary.

**ATTACHMENTS:** Proposal Letter and MacQueen Emergency Group Purchase Agreement with Specifications



PERFORM. LIKE NO OTHER.

MINNESOTA ILLINOIS INDIANA MISSOURI NEBRASKA NORTH DAKOTA SOUTH DAKOTA

EM-102

December 19, 2023

Mayor William McLeod  
Village of Hoffman Estates  
1900 Hassell Road  
Hoffman Estates, IL 60169

Subject: **Proposal for one (1) Pierce Velocity PUC Pumper  
Proposal / Bid 1185**

Dear Mayor McLeod,

With regard to the above subject, please find attached our completed proposal. Pricing, is as follows, including 100% prepay option.

**Pricing Summary:**

Sale Price – **\$1,247,500.00\***  
*\*Sourcewell Consortium Pricing, Member ID 36488.*

**100% Performance Bond:**

Should the Village of Hoffman Estates elect to have us provide a Performance Bond, \$3,540.00 will need to be added to the above sale price.

**100% Prepayment Option:**

Should the Village of Hoffman Estates elect to make a 100% prepayment at contract signing, a discount of (**\$134,792.00**) can be subtracted from the above "Sale Price" resulting in a revised contract price of **\$1,112,708.00 OR \$1,116,248.00 with Performance Bond.**

**Terms and Conditions:**

Taxes – Not Applicable

Freight – F.O.B. – Appleton, WI / Shipping to Hoffman Estates, IL

Terms – Net due prior to vehicle(s) release at the Pierce Manufacturing Plant (Appleton, WI). Net due at Contract signing for **Prepay discount** to be applicable.

Delivery\* – 45.5 - 48.5 months from receipt and acceptance of contract.

*\*Due to global supply chain constraints, any delivery date contained herein is a good faith estimate as of the date of this order/contract, and merely an approximation based on current information. Delivery updates will be made available, and a final firm delivery date will be provided as soon as possible.*



PERFORM. LIKE NO OTHER.

MINNESOTA ILLINOIS INDIANA MISSOURI NEBRASKA NORTH DAKOTA SOUTH DAKOTA

---

Said apparatus and equipment are to be built and shipped in accordance with the specifications hereto attached, delays due to strikes, war, or international conflicts, or other causes beyond our control not preventing, could alter the delivery schedule.

The specifications herein contained, shall form a part of the final contract, and are subject to changes as desired by the purchaser, provided such changes are acknowledged and agreed to in writing by the purchaser.

Various state or federal regulation agencies (e.g., NFPA, DOT, EPA) may require changes to the Specifications and/or the Product and in any such event any resulting cost increases incurred to comply therewith will be added to the Purchase Price to be paid by the Customer. Any future drive train upgrades (engine, transmission, axles, etc.) or any other specification changes have not been calculated into our annual increases and will be provided at additional cost. The Company reserves the right to update pricing in response to manufacturer-imposed increases as a result of PPI inflation. The Company will document and itemize any such price increase for the Customer's review and approval before proceeding. Should the customer choose not to accept the pricing update, the customer has the ability to cancel without penalty.

This proposal for fire apparatus conforms with all Federal Department of Transportation (DOT) rules and regulations in effect at the time of bid, and with all National Fire Protection Association (NFPA) Guidelines for Automotive Fire Apparatus as published at the time of bid, except as modified by customer specifications.

The attached proposal is valid thirty (30) days.

We trust the above and the enclosed to be full and complete at this time; however, should you have any questions or require additional information, please do not hesitate to contact me at 630-973-9081 or [dan.rudnicki@macqueengroup.com](mailto:dan.rudnicki@macqueengroup.com).

We wish to thank the Village of Hoffman Estates for the opportunity to submit our proposal.

Respectfully,

*Dan Rudnicki*

Dan Rudnicki  
Apparatus Sales  
MacQueen Equipment LLC  
DBA MacQueen Emergency Group

## PURCHASE AGREEMENT

This Purchase Agreement (together with all attachments referenced herein, the “Agreement”), made and entered into by and between MacQueen Equipment, LLC, as Delaware corporation DBA MacQueen Emergency (“MacQueen”), and Village of Hoffman Estates, (customer) is effective as of the date specified in Section 3 hereof.

### 1. Definitions

- a. **“Product”** means the fire apparatus and any associated equipment furnished for the Customer by MacQueen, pursuant to the specifications.
- b. **“Specifications”** means the general specifications, technical specifications, orientation, and testing requirements for the Product contained in the MacQueen Proposal for the Product prepared in response to the Customer’s request for proposal.
- c. **“MacQueen Proposal”** means the proposal provided by MacQueen attached as Exhibit C prepared in response to the Customer’s request for proposal.
- d. **“Delivery”** means the date MacQueen is prepared to make physical possession of the Product available to the Customer.

### 2. Purpose

This Agreement sets forth the terms and conditions of MacQueen’s sale of the Product to the Customer.

### 3. Term of Agreement

This Agreement will become effective on the date it is signed and approved by MacQueen’s authorized representative pursuant to Section 22 hereof (“Effective Date”) and, unless earlier terminated pursuant to the terms of this Agreement, it will terminate upon the Customer’s Acceptance and payment in full of the Purchase Price.

### 4. Purchase and Payment

The Customer agrees to purchase the Product specified on Exhibit A for the total purchase price of \$1,247,500.00 (“Purchase Price”). Prices are in US Funds.

**NOTE: Upon final inspection at the factory for pick-up or delivery, the customer will need to supply a “Certificate of Insurance” and “FULL PAYMENT” prior to release of the vehicle, unless prior arrangements for vehicle’s release have been made.**

### 5. Future Changes

Various state or federal regulation agencies (e.g., NFPA, DOT, EPA) may require changes to the Specifications and/or the Product and in any such event any resulting cost increases incurred to comply therewith will be added to the Purchase Price to be paid by the Customer. Any future drive train upgrades (engine, transmission, axles, etc.) or any other specification changes have not been calculated into our annual increases and will be provided at additional cost. The Company reserves the right to update pricing in response to manufacturer-imposed increases as a result of PPI inflation. The Company will document and itemize any such price increase for the Customer’s review and approval before proceeding. Should the customer choose not to accept the pricing update, the customer has the ability to cancel without penalty or cancellation fee.

### 6. Agreement Changes

The Customer may request that MacQueen incorporate a change to the Products or the Specifications for the Products by delivering a change order to MacQueen; provided, however, that any such change order must be in writing and include a description of the proposed change sufficient to permit MacQueen to evaluate the feasibility of such change (“Change Order”). Within seven (7) business days of receipt of a Change Order, MacQueen will inform the Customer in writing of the feasibility of the Change Order, the earliest possible implementation date for the Change Order, of any increase or decrease in the Purchase Price resulting from such Change Order, and of any effect on production scheduling or Delivery resulting from such Change Order. MacQueen shall not be liable to the Customer for any delay in performance or Delivery arising from any such Change Order. A Change Order is only

effective when counter-signed by MacQueen's authorized representative. Only the listed customer person(s) specified on Exhibit A may be able to authorize and sign the Change Order.

#### **7. Cancellation/Termination**

In the event this Agreement is cancelled or terminated by the Customer before completion, MacQueen may charge a cancellation fee. The following charge schedule based on costs incurred may be applied: (a) 10% of the Purchase Price after order is accepted and entered by MacQueen; (b) 20% of the Purchase Price after completion of approval drawings, and; (c) 30% of the Purchase Price upon any material requisition. The cancellation fee will increase accordingly as costs are incurred as the order progresses through engineering and into manufacturing. MacQueen endeavors to mitigate any such costs through the sale of such Product to another purchaser; however, Customer shall remain liable for the difference between the Purchase Price and, if applicable, the sale price obtained by MacQueen upon sale of the Product to another purchaser, plus any costs incurred by MacQueen to conduct any such sale.

#### **8. Delivery, Inspection, and Acceptance**

##### **a. Delivery**

Delivery of the Product is approximately **45.5-48.5 months** of the Effective Date of this Agreement. Risk of loss shall pass to Customer upon Delivery. Delivery shall be made and title documentation shall pass upon Customer's complete fulfillment of its obligations arising under Section 4 hereof. Due to global supply chain constraints, any delivery date contained herein is a good faith estimate as of the date of this order/contract, and merely an approximation based on current information. Delivery updates will be made available, and a final firm delivery date will be provided as soon as possible.

##### **b. Inspection and Acceptance**

Upon Delivery, Customer shall have fifteen (15) days within which to inspect the Product for substantial conformance to the material Specifications, and in the event of substantial non-conformance to the material Specifications to furnish MacQueen with written notice sufficient to permit MacQueen to evaluate such non-conformance ("Notice of Defect"). Any Product not in substantial conformance to material Specifications shall be remedied by MacQueen within thirty (30) days from the Notice of Defect. In the event MacQueen does not receive a Notice of Defect within fifteen (15) days of Delivery, Product will be deemed to be in conformance with Specifications and Accepted by Customer.

#### **9. Notice**

Any required or permitted notices hereunder must be given in writing at the address of each party set forth below, or to such other address as either party may substitute by written notice to the other in the manner contemplated herein, by one of the following methods: hand delivery; registered, express, or certified mail, return receipt requested, postage prepaid; or nationally-recognized private express courier:

**MacQueen Equipment, LLC**  
1125 7th Street East  
St. Paul, MN 55106

**Village of Hoffman Estates**  
Mayor William McLeod  
1900 Hassell Road  
Hoffman Estates, IL 60169

#### **10. Standard Warranty**

The equipment sold herein will be manufactured by Pierce Manufacturing, Inc. and any warranties are attached hereto as Exhibit B and made a part hereof. Any additional warranties must be expressly approved in writing by Pierce's authorized representative and MacQueen.

##### **a. Disclaimer**

Other than as expressly set forth in this agreement, neither Pierce, its Parent Company, Affiliates, Subsidiaries, Licensors, suppliers, distributors, dealers, including without limitation, MacQueen, or other respective officers, directors, employees, shareholders, agents or representatives, make any express or implied warranties with respect to the products provided hereunder or otherwise regarding this agreement, whether oral or written, express, implied or statutory. Without limiting the foregoing, any implied warranty against infringement, and the

implied warranty of condition of fitness for a particular purpose are expressly excluded and disclaimed. Statements made by sales representatives or in promotional materials do not constitute warranties.

**b. Exclusions of Incidental and Consequential Damages**

In no event shall MacQueen be liable for consequential, incidental or punitive damages incurred by Customer or any third party in connection with any matter arising out of or relating to this Agreement, or the breach thereof, regardless of whether such damages arise out of breach of warranty, tort, contract, strict liability, statutory liability, indemnity, whether resulting from non-delivery or from MacQueen's own negligence, or otherwise.

**11. Insurance**

MacQueen maintains the following limits of insurance with a carrier(s) rated A- or better by A.M. Best:

Commercial General Liability Insurance:

Products/Completed Operations Aggregate: \$ 2,000,000  
Each Occurrence: \$ 2,000,000

Umbrella/Excess Liability Insurance:

Aggregate: \$ 5,000,000  
Each Occurrence: \$ 5,000,000

*The Customer may request MacQueen to provide the Customer with a copy of a current Certificate of Insurance with the coverages listed above.*

**12. Indemnity**

The Customer shall indemnify, defend and hold harmless MacQueen, its officers, employees, dealers, agents or subcontractors, from any and all claims, costs, judgments, liability, loss, damage, attorneys' fees or expenses of any kind or nature whatsoever (including, but without limitation, personal injury and death) to all property and persons caused by, resulting from, arising out of or occurring in connection with the Customer's purchase, installation or use of goods sold or supplied by MacQueen which are not caused by the sole negligence of MacQueen or Pierce.

**13. Force Majeure**

MacQueen shall not be responsible nor deemed to be in default on account of delays in performance due to causes which are beyond MacQueen's control which make MacQueen's performance impracticable, including but not limited to civil wars, insurrections, strikes, riots, fires, storms, floods, other acts of nature, explosions, earthquakes, accidents, any act of government, delays in transportation, inability to obtain necessary labor supplies or manufacturing facilities, allocation regulations or orders affecting materials, equipment, facilities or completed products, failure to obtain any required license or certificates, acts of God or the public enemy or terrorism, failure of transportation, epidemics, quarantine restrictions, failure of vendors (due to causes similar to those within the scope of this clause) to perform their contracts or labor troubles causing cessation, slowdown, or interruption of work.

**14. Default**

The occurrence of one or more of the following shall constitute a default under this Agreement:

**(a)** the Customer fails to pay when due any amounts under this Agreement or to perform any of its obligations under this Agreement; **(b)** MacQueen fails to perform any of its obligations under this Agreement; **(c)** either party becomes insolvent or become subject to a bankruptcy or insolvency proceedings; **(d)** any representation made by either party to induce the other to enter into this Agreement is false in any material respect; **(e)** the Customer dissolves, merges, consolidates or transfers a substantial portion of its property to another entity; or **(f)** the Customer is in default or has breached any other contract or agreement with MacQueen.

**15. Relationship of Parties**

Neither party is a partner, employee, agent, or joint venture of or with the other.

**16. Assignment**

Neither party may assign its rights and obligations under this Agreement unless it has obtained the prior written approval of the other party.



**17. Governing Law; Jurisdiction**

Without regard to any conflict of law's provisions, this Agreement is to be governed by and under the laws of the state of Illinois.

**18. Facsimile & Electronic Verified Signatures**

The delivery of signatures to this Agreement by facsimile transmission and/or electronic verified shall be binding as original signatures.

**19. Entire Agreement**

This Agreement shall be the exclusive agreement between the parties for the Product. Additional or different terms proposed by the Customer shall not be applicable, unless accepted in writing by MacQueen's authorized representative. No change in, modification of, or revision of this Agreement shall be valid unless in writing and signed by MacQueen's authorized representative.

**20. Conflict**

In the event of a conflict between the Customer Specifications and the MacQueen Proposal, the MacQueen Proposal shall control.

**21. Additional Orders**

Company, at its sole discretion, will allow the terms of this contract to be extended to both the Customer, as well as to other Municipal, State, or Federal agencies for similar unit(s). Company will allow tag on / additional orders for up to three (3) years from the date of contract execution. To facilitate pricing, Company will quote the original price plus manufacturer's price increases or Producer's Price Index (PPI) whichever is greater as it applies to either Fire Apparatus and/or commercial heavy truck industries. Additionally, any regulatory changes (NFPA, EPA, Engine Emissions, FMVSS, etc.) will also have to be added to the price as they become applicable. Change orders to the original specification will need to be authorized, signed, and accepted by Company. Any entity using this tag-on/ additional orders program will be required to sign a new contract commencing the relationship. Additionally, if required by the Purchaser, any new tag-on / additional orders that require a "separate" Performance bond will be separately priced. This contract, including its appendices, embodies the entire agreement between the parties relating to the subject matter contained herein and merges all prior discussions and agreements. No agent or representative of Company has authority to make any representations, statements, warranties, or agreements not herein expressed and all modifications of amendments of this agreement, including any appendices, must be in writing and executed by an authorized representative of each of the parties hereto. No surety of any performance bond given by Company to the Customer in connection with this Agreement shall be liable for any obligation of Company arising under the Standard Applicable Warranty.

**22. Signatures**

This Agreement is not effective unless and until it is approved, signed and dated by MacQueen's authorized representative.

Accepted and Agreed to:

**MACQUEEN EQUIPMENT, LLC****VILLAGE OF HOFFMAN ESTATES**

Signature: \_\_\_\_\_

Signature: \_\_\_\_\_

Name: \_\_\_\_\_

Name: \_\_\_\_\_

Title: \_\_\_\_\_

Title: \_\_\_\_\_

Date: \_\_\_\_\_

Date: \_\_\_\_\_

**EXHIBIT A – PURCHASE PAYMENT TERMS & CONDITIONS**

 MacQueen Equipment, LLC  
 1125 7th Street East  
 St. Paul, MN 55106

**Customer Name** Village of Hoffman Estates      **Date** December 19, 2023

Quantity	Chassis Type	Body Type	Contract Price per Unit
1	Velocity	PUC Pumper	\$1,247,500.00*

\*Sourcewell Consortium Pricing, Member ID 36488.

**PERFORMANCE BOND OPTION:**

**If a Performance Bond is required add \$3,540.00 to the contract price. Initial here to accept:**

**100% PREPAYMENT OPTION: DUE AT CONTRACT EXECUTION TO BE APPLICABLE.**

**If 100% prepayment is made with contract, deduct \$134,792.00 from contract price.**

**Payment due with contract is \$1,112,708.00 OR \$1,116,248.00 with Performance Bond.**

**Initial here to accept:**

**Only the below listed person(s) are authorized to make changes to product specifications on behalf of the Customer.**

Name	Title

This contract is available for inter-local and other municipal corporations to utilize with the option of adding or deleting any Company available options, including chassis models. Any addition or deletion may affect the unit price.

**“PAYMENT TERMS” 100% of contract price or any balance is due prior to vehicle(s) release at the Pierce Manufacturing Plant (Appleton, WI).**

**“TAXES” Federal, State, and Local Taxes are not included in the contract price.**

**“LATE PAYMENT” A late fee of .033% of the sale price will be charged per day for overdue payments beginning ten (10) days after the payment is due for the first thirty (30) days. The late fee increases to .044% per day until the payment is received.**

[NOTE: If deferred payment arrangements are required, the Customer must make such financial arrangements through a financial institution acceptable to MacQueen.] All taxes, excises and levies that MacQueen may be required to pay or collect by reason of any present or future law or by any governmental authority based upon the sale, purchase, delivery, storage, processing, use, consumption, or transportation of the Product sold by MacQueen to the Customer shall be for the account of the Customer and shall be added to the Purchase Price. All delivery prices or prices with freight allowance are based upon prevailing freight rates and, in the event of any increase or decrease in such rates, the prices on all unshipped Product will be increased or decreased accordingly. Delinquent payments shall be subject to a carrying charge of 1.5 percent (1.5%) per month or such lesser amount permitted by law. MacQueen will not be required to accept payment other than as set forth in this Agreement. However, to avoid a late charge assessment in the event of a dispute caused by a substantial nonconformance with material Specifications (other than freight), the Customer may withhold up to five percent (5%) of the Purchase Price until such time that MacQueen substantially remedies the nonconformance with material Specifications, but no longer than sixty (60) days after Delivery. If the disputed amount is the freight charge, the Customer may withhold only the amount of the freight charge until the dispute is settled, but no longer than sixty (60) days after Delivery. MacQueen shall have and retain a purchase money security interest in all goods and products now or hereafter sold to the Customer by MacQueen or any of its affiliated companies to secure payment of the Purchase Price for all such goods and products. In the event of nonpayment by the Customer of any debt, obligation or liability now or hereafter incurred or owing by the Customer to MacQueen, MacQueen shall have and may exercise all rights and remedies of a secured party under Article 9 of the Uniform Commercial Code (UCC) as adopted by the state of Minnesota.

THIS PURCHASE DETAIL FORM IS EXPRESSLY SUBJECT TO THE PURCHASE AGREEMENT TERMS AND CONDITIONS DATED AS OF December 19, 2023 BETWEEN MACQUEEN AND Village of Hoffman Estates (customer) WHICH TERMS AND CONDITIONS ARE HEREBY INCORPORATED IN, AND MADE PART OF, THIS PURCHASE DETAIL FORM AS THOUGH EACH PROVISION WERE SEPARATELY SET FORTH HEREIN, EXCEPT TO THE EXTENT OTHERWISE STATED OR SUPPLEMENTED BY MACQUEEN HEREIN.

**Is Customer Name and Address listed on page 2 to be used on Certificate of Origin (CO)?  Yes    No**

**If not, please provide correct name and address to be listed on CO.** \_\_\_\_\_

**Is there a lienholder?  Yes    No**

**If yes, please provide lienholder information.** \_\_\_\_\_

**EXHIBIT B – PROPOSAL OPTION LIST WITH WARRANTIES**

**SEE ATTACHED PROPOSAL OPTION LIST Bid Number 1185 Dated 12/19/2023 FOR ALL APPLICABLE OPTIONS AND WARRANTIES APPROVED WITH CONTRACT.**



# Option List

12/19/2023

**Customer:** Hoffman Estates Fire Department  
**Representative:** Rudnicki, Dan  
**Organization:** MacQueen Emergency Group  
**Requirements Manager:**  
**Description:** Hoffman estates pumper Dup of 38185. 2023  
**Body:** Pumper, PUC, Aluminum  
**Chassis:** Velocity Chassis, PUC-NG (Med Block)

**Bid Number:** 1185  
**Job Number:**  
**Number of Units:** 1  
**Bid Date:** 01/01/2024  
**Stock Number:**  
**Price Level:** 47 (Current: 47)  
**Lane:**

Line	Option	Type	Option Description	Qty
1	0010012		No Boiler Plates requested	1
2	0661794		Single Source Compliance	1
3	0584456		Manufacture Location, Appleton, Wisconsin	1
4	0584452		RFP Location: Appleton, Wisconsin	1
5	0588609		Vehicle Destination, US	1
6	0610784		Comply NFPA 1901 Changes Effective Jan 1, 2016, With Exceptions	1
7	0533347		Pumper/Pumper with Aerial Device Fire Apparatus	1
8	0588611		Vehicle Certification, Pumper	1
9	0661778		Agency, Apparatus Certification, Pumper/Tanker, U.L.	1
10	0891947		Certification, Vehicle Inspection Program, NFPA 1901	1
11	0000114		Inspection Trip(s)	2
			Qty, - 02	
			Fill in Blank - 6	
12	0766110		Sourcewell	1
13	0537375		Unit of Measure, US Gallons	1
14	0529326		10%, Pierce Built Chassis	1
15	0816569		Not Requested	1
16	0000007		Approval Drawing	1
17	0002928		Electrical Diagrams	1
18	0888808		Velocity Chassis, PUC-NG (Med Block)	1
19	0000110		Wheelbase	1
			Wheelbase - 195"	
20	0000070		GVW Rating	1
			GVW rating - 49,800	
21	0000203		Frame Rails, 13.38 x 3.50 x .375, Qtm/AXT/Imp/Vel/DCF	1
22	0020018		Frame Liner Not Req'd	1
23	0508849		22,800 lb TAK-4 Axle	1
24	0010427		Suspension, Front TAK-4, 22,800 lb, Qtm/AXT/Imp/Vel/Enf/SFR	1
25	0087572		Shock Absorbers, KONI, TAK-4, Qtm/AXT/Imp/Vel/DCF/Enf	1
26	0000322		Oil Seals, Front Axle	1
27	0899438		Tires, Front, Goodyear, Armor MAX MSA, 425/65R22.50, 20 ply	1
28	0752585		Wheels, Front, Alcoa, 22.50" x 12.25", Aluminum, Dura-Black, Hub Pilot	1
29	0530466		27,000 lb Meritor Axle	1
30	0544253		Top Speed of Vehicle, 68 MPH /109 KPH	1
31	0122075		Suspen, Rear, Standens, Spring, 27,000 lb, Imp/Vel	1
32	0000485		Oil Seals, Rear Axle	1
33	0782805		Tires, Rear, Goodyear, Armor Max MSD, 12R22.50, LRH, Single	1
34	0742754		Wheels, Rear, Alcoa, 22.50" x 9.00", Aluminum, Dura-Black, Hub Pilot, Single	1
35	0568081		Tire Balancing, Counteract Beads	1
36	0620570		Tire Pressure Monitoring, RealWheels, AirSecure, Valve Cap, Single Axle	1
			Qty, Tire Pressure Ind - 6	
37	0801909		Lug Nut, Covers, Chrome	1
38	0003245		Axle Hub Covers w/center hole, S/S, Front Axle	1
39	0001960		Axle Hub Covers, Rear, S/S, High Hat (Pair)	1
40	0002045		Mud Flap, Front and Rear, Pierce Logo	1
41	0602478		Chocks, Wheel, Pumper, NFPA, Provided by Fire Department, NFPA 2016	1
42	0544690		Mounting Brackets, Chocks, Provided by Fire Department	1
43	0010670		ABS Wabco Brake System, Single rear axle	1
44	0030185		Brakes, Knorr/Bendix 17", Disc, Front, TAK-4	1
45	0509206		Brakes, Meritor, EX225, Disc Plus, Rear, Single Axle	1

Line	Option	Type	Option Description	Qty
46	0020784		Air Compressor, Brake, Cummins/Wabco 18.7 CFM	1
47	0683383		Brake Reservoirs, Three, Polished Aluminum Tanks Paint Color, Air Tanks - Black #98	1
48	0649414		Air Dryer, Brake, AD-SP w/heater, 2010	1
49	0000790		Brake Lines, Nylon	1
50	0000856		Air Inlet, with Kussmaul Air Eject Location, Air Coupling(s) - z) DS Cab Ext Qty, Air Coupling (s) - 1	1
51	0808533		Engine, Cummins X10, 450 hp, 1250 lb-ft, W/OBD, EPA 2027, Imp/Vel	1
52	0811409		Not Required, Engine Contingency Adjustment	1
53	0001244		High Idle w/Electronic Engine, Custom	1
54	0687994		Engine Brake, Jacobs Compression Brake, Cummins Engine Switch, Engine Brake - e) ISC/ISM/ISL9/ISX Hi Med Lo	1
55	0552334		Clutch, Fan, Air Actuated, Horton Drive Master	1
56	0123135		Air Intake, w/Ember separator, Imp/Vel	1
57	0814375		Exhaust System, Horizontal, Right Side Exhaust, Diffuser - 6.00" (Premium) Exhaust, Material/Finish - Aluminized Steel (Standard) Location, Diffuser Termination - 2.00" Past Rub Rail (Standard) Tip, Exhaust - Straight Tip (Standard)	1
58	0816167	SP	Adapter, Exhaust, Plymovent Magnetic Grabber, for 6" or 7" Diffuser Outlet	1
59	0787999		Radiator, Impel/Velocity	1
60	0722487		Cooling Hoses, Gates Silicone and Rubber Combination, Velocity	1
61	0074074		Fuel Tank, 65 Gallon, Left Side Fill, Aluminum Finish - Unfinished	1
62	0001129		Lines, Fuel	1
63	0758657		DEF Tank, 8.0 Gallon, LS Fill, Rear of Rear Axle, Common Door Door, Material & Finish, DEF Tank - Polished Stainless	1
64	0723716		Fuel Priming Pump, Electronic, Automatic, Cummins, No Swt Req'd	1
65	0582243		Shutoff Valves, Fuel Line @ Primary Filter, Cummins	1
66	0699437		Cooler, Chassis Fuel, Not Req'd.	1
67	0690880		No Selection Required From This Category	1
68	0887559		Trans, Allison 6th Gen, 3000 EVS P, w/Prognostics, Imp/Vel/SFR/Enf	1
69	0625329		Transmission, Shifter, 5-Spd, Push Button, 3000 EVS	1
70	0517604		Transmission Programming, Park to Neutral, PUC	1
71	0684459		Transmission Oil Cooler, Modine, External	1
72	0001370		Driveline, Spicer 1710	1
73	0669988		Steering, Sheppard M110 w/Tilt, TAK-4, Eaton Pump, w/Cooler	1
74	0001544		Not Required, Steering Assist Cylinder on Front Axle	1
75	0509230		Steering Wheel, 4 Spoke without Controls	1
76	0690274		Logo and Emblem on Dash Text, Row (1) One - Hoffman Text, Row (2) Two - Estates Text, Row (3) Three - Fire Dept.	1
77	0809645		Lube System, Graco G3 Grease Jockey, Single Axle Rear Axle, Auto Lube - 4x2 Straight Axle, Disc Brakes (Graco)	1
78	0536235		19" Painted Steel Bumper	1
79	0609150	SP	Tray, Hose, Center, 19" Bumper, Outside Air Horns, 16" Deep Grating, Bumper extension - Grating, Rubber Capacity, Bumper Tray - 23) 200' of 1.75"	1
80	0633479		Hose Restraint, Bumper Tray, Velcro Straps, Pair Qty, Pair - 01	1
81	0765125	SP	Tray, (1) Hose Right Side of Bumper, 16" Deep Grating, Bumper extension - Grating, Rubber Capacity, Bumper Tray - 28) 25' of 5.00"	1
82	0633453		Hose Restraint, Bumper Tray, Velcro Straps, Pair Qty, Pair - 01	1
83	0510226		Lift & Tow Package, Imp/Vel, AXT, Dash CF	1
84	0002283		Tow Hooks, Painted	1
85	0608055		Coating, Protective UL-LX, Bumper Gravel Pan, Black	1
86	0698960		Coating, Top Flange, Front Bumper, Outside Exterior, UL-LX Coating, Black	1
87	0668310		7010 Velocity PUC Cab	1

Line	Option	Type	Option Description	Qty
88	0724237		Engine Tunnel, ISL, Mech Fasteners, Impel/Velocity FR	1
89	0887600		Cab Insulation, Impel/Velocity FR	1
90	0677478		Rear Wall, Exterior, Cab, Aluminum Treadplate	1
91	0122466		Cab Lift, Elec/Hyd, w/Manual Override, Imp/Vel	1
92	0123176		Grille, Bright Finished, Front of Cab, Velocity	1
93	0002224		Scuffplates, S/S At Cab Door Jambs, 4-Door Cab	1
			Material Trim/Scuffplate - c) S/S, Polished	
94	0527032		Trim, S/S Band, Across Cab Face, Rect Lights, Velocity	1
			Material Trim/Scuffplate - c) S/S, Polished	
			Turnsignal Covers - Polished S/S Covers	
95	0015440		No Chrome Molding, On side of cab	1
96	0521669		Mirrors, Retrac, West Coast Style, Htd/Rmt, w/Htd/Rmt Convex	1
97	0667921		Half Height Door	1
			Key Model, Cab Doors - 751	
			Cab, Exterior Door Handle, Finish - 4-Door, Chrome/Black	
98	0655511		Door Panel, Brushed Stainless Steel, Impel/Velocity 4-Door Cab	1
99	0667905		Storage Pockets w/ Elastic Cover, Recessed, Overhead, Impel/Velocity FR	1
100	0667902		Controls, Electric Windows, All Cab Doors, Impel/Velocity FR	1
101	0817939	SP	Steps, 4-Door Cab, Dual, FormCoat Steps/Step Wells, Imp/Vel	1
			Light, Step, Additional - P25 LED	
102	0770194		Handrail, Exterior, Knurled, Alum, 4-Door Cab	1
103	0892637		Lights, Cab & Crw Cab Acs Stps, P25, LED w/Bezel, 1Lt Per Step	1
			Color, Trim - Chrome Housing	
104	0002140		Fenders, S/S on Cab	1
105	0122480		Window, Side of C/C, Sliding, Imp/Vel	1
106	0552935		Trim, Cab Side Windows, Velocity	1
107	0012090		Not Required, Windows, Front/Side of raised roof	1
108	0509286		Not Required, Windows Rear of Crew Cab, Imp/Vel	1
109	0558334		Not Required, Trim, Cab Rear Windows, No Rear Windows	1
110	0798597		Holder, Cup, Cab/Crewcab, Each, Loc	2
			Location - mount at final	
			Qty, - 02	
111	0663383		Mounting Provisions, 3/16" Alum, Full Engine Tunnel, Vel/Imp	1
			Mounting Provision Spacing - 1.00"	
			Material Finish, Cab Interior - Painted	
112	0748671		Cab Interior, Vinyl, Velocity FR, CARE	1
			Color, Cab Interior Vinyl/Fabric - Endure Vinyl - Silver/Gray	
113	0667943		Cab Interior, Paint Color, Impel/Velocity FR	1
			Color, Cab Interior Paint - i) fire smoke gray	
114	0509532		Floor, Rubber Padded Cab & Crew Cab, Imp/Vel, Dash CF	1
115	0741239		HVAC, Heavy-Duty, Impel/Velocity FR, CARE	1
			Paint Color, A/C Condenser - Painted to Match Cab Roof	
			HVAC System, Filter Access - Removable Panel	
			Auxiliary Cab Heater - Both	
116	0639675		Sun Visor, Smoked Lexan, AXT, Imp/Vel, Saber FR/Enforcer	1
			Sun Visor Retention - Thumb Latch	
117	0543257		Grab Handles, Driver Door Post & Passenger Dash Panel, Imp/Vel	1
118	0583938		Lights, Engine Compt, Custom, Auto Sw, WIn 3SC0CDCR, 3" LED, Trim	1
			Qty, - 01	
119	0122516		Fluid Check Access, Imp/Vel	1
			Latch, Door, Storage - Lift and Turn Latch, Flush	
120	0728661	SP	Map Box, 2 Bin, Slanted, Engine Tunnel, Vel	1
121	0583042		Side Roll and Frontal Impact Protection	1
122	0622619		Seating Capacity, 4 Seats	1
123	0697005		Seat, Driver, Pierce PS6, Premium, Air Ride, High Back, Safety	1
124	0696994		Seat, Officer, Pierce PS6, Premium, Air Ride, SCBA, Safety	1
125	0002517		Not Required, Radio Compartment	1
126	0122183		Seat, Rear Facing C/C, DS Outboard, Pierce PS6, Premium, SCBA, Safety	1
127	0102783		Not Required, Seat, Rr Facing C/C, Center	1
128	0122186		Seat, Rear Facing C/C, PS Outboard, Pierce PS6, Premium, SCBA, Safety	1
129	0892132	SP	Cabinet, Forward Facing, LS, 21 W x 54 H x 14 D, Web, Sp Swt, Imp/Vel	1
			Type of fastener - 1" side release	

Line	Option	Type	Option Description	Qty
129			Restraint Location - Top (towards roof of truck) Material Finish, Shelf - Painted - Cab Interior Shelf/Tray, Cabinet - (2) Shelves, Adjustable, 1.25" Up-Turned Lip Light, Tall Cabinet - Pierce, Interior, Left Side Louvers, Cabinet - 0-No Louvers	
130	0892133	SP	Cabinet, Forward Facing, Center, 42 W x 49 H x 24 D, Web, Sp Swt, Imp/Vel Type of fastener - 1" side release False Floor, EMS Cabinet - False Floor, Sweep Out Style Restraint Location - Top (towards roof of truck) Light, Short Cabinet - Pierce, Interior, Right Side and Pierce, Interior, Left Side Material Finish, Shelf - Painted - Cab Interior Shelf/Tray, Cabinet - (2) Shelves, Adjustable, 1.25" Up-Turned Lip Louvers, Cabinet - 0-No Louvers	1
131	0892131	SP	Cabinet, Forward Facing, RS, 21 W x 54 H x 14 D, Web, Sp Swt, Imp/Vel Type of fastener - 1" side release Restraint Location - Top (towards roof of truck) Material Finish, Shelf - Painted - Cab Interior Shelf/Tray, Cabinet - (2) Shelves, Adjustable, 1.25" Up-Turned Lip Light, Tall Cabinet - Pierce, Interior, Right Side Louvers, Cabinet - 0-No Louvers	1
132	0765148		Cabinet Floor, Qty, False Floor Location - the three forward facing ems cabinets Qty, - 03	3
133	0766467		Upholstery, Seats In Cab, All Vinyl, Seats Inc, CARE Color, Cab Interior Vinyl/Fabric - Endure Vinyl - Silver/Gray Qty, - 04	4
134	0543991		Bracket, Air Bottle, Hands-Free II, Cab Seats Qty, - 03	3
135	0603867		Seat Belt, ReadyReach Seat Belt Color - Red	1
136	0604867		Seat Belt Height Adjustment, 4 Seats, Imp/Vel, Dash CF	1
137	0602464		Helmet Storage, Provided by Fire Department, NFPA 2016	1
138	0647647		Lights, Dome, FRP Dual LED 4 Lts Color, Dome Lt - Red & White Color, Dome Lt Bzl - Black Control, Dome Lt White - Door Switches and Lens Switch Control, Dome Lt Color - Lens Switch	1
139	0896451		Enhanced Software for Cab and Crew Cab Dome Lts	1
140	0631776		Not Required, Overhead Map Lights	1
141	0602637		Portable Hand Light, Provided by Fire Dept, Pumper NFPA 2016 Classification	1
142	0568369		Cab Instruments, Ivory Gauges, Chrome Bezels, Impel/Velocity 2010	1
143	0509511		Air Restriction Indicator, Imp/Vel, AXT, Dash CF, Enf MUX	1
144	0543751		Light, Do Not Move Apparatus Alarm, Do Not Move Truck - Pulsing Alarm	1
145	0509042		Messages, Open Dr/DNMT, Color Dsply,	1
146	0551600		Switching, Cab, Rocker MUX, Impel/Velocity, AXT MUX, Dash CF Location, Emerg Sw Pnls - Driver's Side Overhead	1
147	0555915		Wiper Control, 2-Speed with Intermittent, MUX, Impel/Velocity	1
148	0548015		Wiring, Spare, 30 A 12V DC 1st Qty, - 05 12vdc power from - Battery direct Wire termination - Butt Splice Location, Spare Wiring - 1 behind both the the driver and officer seats, 1 in the center FF ems cabinet on the back wall up high towards the officer side, and 1 in both RS2 and LS2 centered on the ceilings against the back wall	5
149	0548009		Wiring, Spare, 20 A 12V DC 1st Qty, - 02 12vdc power from - Ignition power Wire termination - Butt Splice Location, Spare Wiring - Behind Officer Seat and Behind Drive's Seat	2
150	0548004		Wiring, Spare, 15 A 12V DC 1st Qty, - 01 12vdc power from - Battery direct	1

Line	Option	Type	Option Description	Qty
150			Wire termination - Butt Splice	
			Location, Spare Wiring - Officer Dash	
151	0814201		Vehicle Information Center, 7" Color Display, Touchscreen, MUX, CL714 **	1
			System Of Measurement - US Customary	
152	0734854		Collision Mitigation, Not Requested	1
153	0606249		Vehicle Data Recorder w/CZ and Overhead Display Seat Belt Monitor	1
154	0818151	SP	Intercom, David Clark, 4-Pos, 2-Dual Radio, (D, O), 2obC, 3805 **	1
155	0637058		David Clark Universal Radio Interfaces Included with Single/Dual System	1
			Location, Radio Interface - Behind the officer seat to the vhf and 800	
156	0589947		Headset, David Clark, H3432 Over The Head, Flex Mic, Push On Push Off	2
			Qty, - 02	
			Location - two forward facing crew seats	
157	0597914		Headset, David Clark, H3442 Under Helmet, Flex Mic	2
			Qty, - 02	
			Location - driver and officer seat	
158	0819255		Hangers For Headsets, NFPA Each, 23	4
			Qty, - 04	
			Location, Headset Hangers - Driver Seat, Officer Seat, DS Outbrd, Rear	
			Fcng Seat and PS Outbrd, Rear Fcng Seat	
159	0736417		Install Customer Provided Two-Way Radio(s), Single Remote Head	2
			Location - behind the officer seat to match photos in job folder	
			Qty, - 02	
			Fill in Blank - vhf in #5 and 800 in #6 to match photos in job folder	
160	0597940		Install Customer Provided Two-Way Radio Speaker(s)	2
			Location - under ac to match photos in job folder	
			Qty, - 02	
161	0559512		Install Customer Provided MDT, Complete (Qty)	1
			Location - officer dash	
			Qty, - 01	
162	0818217	SP	Install Customer Provided Two-Way Radio Mic, Extension Cables	2
			Location - coming out in the back left corner of the dash area in front of	
			officer to match picture in job folder	
			Qty, - 02	
			Fill in Blank - one in location 5 and one in location 6	
163	0687904		Antenna Mount, Custom Chassis, Cable Routed to Behind Officer Seat	2
			Location - in the best locations available	
			Qty, - 02	
164	0817058		Camera, Pierce, LS Mux, R Camera, SD, CL714	1
			Camera System Audio - Not Provided	
165	0814831		Not Required, Camera Switcher	1
166	0896458		Pierce Command Zone, Advanced Electronics & Control System, Vel WiFi CZT	1
			Color, Antenna - Black Antenna	
			Module Housings - Black Housing with Power and Status Ind	
167	0896456		Prognostics, Electrical System	1
168	0730603		Electrical System, Velocity ESP, Cummins, Paccar	1
169	0079211		Batteries, (6) Stryten/Exide Grp 31, 950 CCA each, Threaded Stud	1
170	0008621		Battery System, Single Start, All Custom Chassis	1
171	0123174		Battery Compartment, Imp/Vel	1
172	0803511		Not Required - Battery Charger Included In Inverter/Charger Category	1
173	0814995		Not Required, Location Picked From Location, Inverter/Battery Charger/Conditioner	1
174	0814016	SP	Inverter/Battery Charger, Ksml 091-263-12-1500, Ign, w/BTSC, Non-NFPA	1
175	0814936		Location, Body, Inverter/Battery Charger, Forward Compartment, LS	1
			Location, Comp Body - High On Left Wall	
176	0814062		Display, Kussmaul Single Bat Status Ind 091-200-IND	1
177	0814946		Location, Cab, Ind/Remote Display, Above Wheelwell, LS	1
178	0812004	SP	Approved, Inverter/Batt Chgr	1
179	0016857		Shoreline, 20A 120V, Kussmaul Auto Eject, 091-55-20-120, Super	1
			Qty, - 01	
			Color, Kussmaul Cover - b) red	
			Shoreline Connection - Battery Charger	
180	0026800		Shoreline Location	1
			Location, Shoreline(s) - DS Cab Side	
181	0647728		Alternator, 430 amp, Delco Remy 55SI	1



Line	Option	Type	Option Description	Qty
182	0092582		Load Manager/Sequencer, MUX Enable/Disable Hi-Idle - e)High Idle enable	1
183	0783153		Headlights, Rect LED, JW Spkr Evo 2, AXT/DCF/Enf/Imp/Sab/Vel Color, Headlight Bez - Chrome Bezel	1
184	0648425		Light, Directional, WIn 600 Cmb, Cab Crn, Imp/Vel/AXT/Qtm/DCF Color, Lens, LED's - m)match LED's	1
185	0620054		Light, Directional/Marker, Intermediate, Weldon 9186-8580-29 LED 2lts	1
186	0734373		Lights, Clearance/Marker, Side, Truck-Lite 33050Y 2 Lts, Others With Visor Lt	1
187	0535157		Lights, Clearance/Marker/ID, Rear, Truck-Lite 33050R LED 7Lts, PUC/HDRP	1
188	0517025		Lights, Tail, Wrap-around, Stop/Tail, Turn & Backup LED, Tri-Cluster	1
189	0085910		Lights, Backup Included in Signal Cluster	1
190	0664466		Bracket, License Plate & Light, Weldon 9186-23882-30 Incand, Temp Under Tailbrd Location - left side	1
191	0589905		Alarm, Back-up Warning, PRECO 1040	1
192	0564535		Light, Marker, Britax Rubber Arm, Model L427.203.L12 LED, Red/Amb, Qty/Loc Location, Lights - rearward on body Qty, Lights (pair) - 1	1
193	0769420		Lights, Perimeter Cab, Amdor AY-LB-12HW020 LED 4Dr	1
194	0769559		Lights, Perimeter Pump House, Amdor AY-LB-12HW012 LED 2lts	1
195	0770056		Lights, Perimeter Body, Amdor AY-LB-12HW020 LED 2lts, Rear Step Control, Perimeter Lts - Parking Brake Applied	1
196	0896454		Enhanced Software for Perimeter Lts	1
197	0557322		Lights, Step, P25 at Rear Tailboard, PUC, 4lts Perm Lts	1
198	0774470		Light, Roof Mt, HiViz, FT-B-72-ML-*, Cnt Feature Control, Scene Lts - Cab Sw Panel DS Color, Lt Housing HiViz - Black	1
199	0768061		Lights, WIn, PCPSM2* Pioneer, 12 VDC, 1st Location - Driver side centered over front wheel Qty, - 01 Color, WIn Lt Housing - Black Cover Control, Scene Lts - Cab Sw Panel DS, Pump Panel Sw LS and Cab and Crew Cab Dr Sw, DS	1
200	0768059		Lights, WIn, PCPSM2* Pioneer, 12 VDC, 2nd Location - Passenger side centered over front wheel Qty, - 01 Color, WIn Lt Housing - Black Cover Control, Scene Lts - Cab Sw Panel DS, Pump Panel Sw LS and Cab and Crew Cab Dr Sw, PS	1
201	0766252		Lights, WIn, MP** Pioneer, 12 VDC, 1st Location - on the rear of the body, one each side high Qty, - 02 Color, WIn Lt Housing - Black Paint Control, Scene Lts - Cab Sw Panel DS and Body Switch, DS Rear SS Mount, WIn II - Semi-recessed 0 deg MP**	2
202	0763608		Lights, WIn, PCPSM2*, Pioneer, 12 VDC, 2nd Location - on the passenger side of the upper body rearward but inside of the emergency lights Qty, - 01 Color, WIn Lt Housing - Black Cover Control, Scene Lts - RS Scene Lts Cab, Without Dr Control	1
203	0763610		Lights, WIn, PCPSM2*, Pioneer, 12 VDC, 1st Location - on the drive side of the upper body rearward but inside of the emergency lights Qty, - 01 Color, WIn Lt Housing - Black Cover Control, Scene Lts - LS Scene Lts Cab, Without Dr Control	1
204	0532358		Not Required, Deck Lights, Other Hose Bed & Rear Lighting	1
205	0645877		Lights, Hose Bed, Sides, Dual LED Light Strips Control, Hose Bed Lts - Parking Brake	1
206	0645677		Lights, Not Required, Rear Work, Alt. 12 Volt Lights At Rear Body	1
207	0709438		Lights, Walk Surf, FRP Flood, LED	1
208	0679139	SP	Switch, Spare, Maintain Rocker Location - in bay 9, third switch for the left and labeled "Exhaust" Qty, Switch - 01	1

Line	Option	Type	Option Description	Qty
209	0518282		177"/189" Aluminum Pumper PUC	1
210	0554271		Body Skirt Height, 20"	1
211	0682618		Tank, Water, 500 Gallon, Poly, 67 LHB, PUC	1
212	0003405		Overflow, 4.00" Water Tank, Poly	1
213	0028107		Not Required, Foam Cell Modification	1
214	0553725		Restraint, Water Tank, Heavy Duty, Special Type Tank, 4x4, or Export	1
215	0003429		Not Required, Direct Tank Fill	1
216	0003424		Not Required, Dump Valve	1
217	0048710		Not Required, Jet Assist	1
218	0030007		Not Required, Dump Valve Chute	1
219	0514778		Not Required, Switch, Tank Dump Master	1
220	0597043		Body Height, PUC/HDRP	1
			Body Height - 92.00"	
221	0683290		Hose Bed, Aluminum, Pumper, PUC, 67 LHB	1
222	0723340		Unpainted/Brush Finished, Hose Bed, 3G PUC/HDRP	1
223	0003481		Hose Bed Capacity, Special	1
			Capacity, Hosebed - 600' of 2.5" with single high rise pack on top / 600' of 5" /600' of 2.5" with single high rise pack on top / 200' of 2.5"	
224	0003488		Divider, Hose Bed, Unpainted	3
			Qty, Hosebed Dividers - 3	
225	0892481	SP	Crosstube, Reinforcement, Above Hose Bed 3" x 5"	1
			Location - Above hosebed	
			Material/Finish, Cross Tube - Painted Match Upper	
226	0733527		Hose Restraint, 2" Nylon Web Rear, Seat Belt, w/Alum Hose Bed Cover	1
			Location - spread evenly	
			Nylon Web Color - Black	
			Type of fastener, Rear - velcro straps/footman loops - bottom of hosebed	
			Quantity - 04	
			Release, Seat Belt Buckle - Two Bars	
227	0089471		Cutout, Handhold, in Hose Bed Divider	3
			Qty, - 03	
228	0530804		Cover, Hose Bed, Alum Treadplate	1
229	0611509		Running Boards, Flip Out, PUC	1
230	0770850	SP	Tailboard, 16" Deep, Full Width, Special Angled Corners, PUC	1
			Fill in Blank - at 45 degrees. The angle will measure 4.00" x 4.00" from the outboard edge of the tailboard to be similar to option 781041	
231	0690029		Wall, Rear, Body Material, PUC, PUC Tanker, PRM, HDRP	1
232	0003531		Tow Bar, Under Tailboard	1
233	0656764		Construction, Compt, Alum, Pumper, PUC	1
234	0510105		LS 189" Rollup, (1) 62" Forward, (1) 52" Rear, Standard Depth, PUC	1
			Width, PUC Pump Operators Panel Partition - 2.5"	
235	0510106		RS 189" Rollup, (1) 62" Fwd Full Height & Depth, (1) 52" Rr Std Depth, PUC	1
236	0594005		Doors, Rollup, Amdor, Side Compartments	6
			Qty, Door Accessory - 06	
			Color, Roll-up Door - AMDOR Painted to Match Lower Body	
			Latch, Roll-up Door - Non-Locking Liftbar	
237	0599445		Compt, Rear, Rollup, 33.50" FF, w/Tailboard, PUC/HDRP	1
238	0593958		Door, Amdor, Rollup, Rear Compartment, PUC	1
			Color, Roll-up Door - AMDOR Satin Aluminum	
			Latch, Roll-up Door - Non-Locking Liftbar	
239	0818053	SP	Scuffplate, S/S Around DEF/Fuel Fill Dr, Fully Extended, Contour Fender Crwn	1
240	0616670		Lights, Compt, Pierce LED, Dual Light Strips, Each Side of Door, Pumper/Tanker	7
			Qty, - 07	
			Location, Compartment Lights - All Body Compts	
241	0818054	SP	189" Hatch, (2) Lift-up, 28" W LS/14"W RS, No Step PUC/HDRP	1
			Size, Hatch Compt, Height - 22.00"	
			Trim, Body/Hatch Compt Seam, Horizontal, Pair - Molding	
			Trim, Body/Hatch Compt Seam, Vertical, Pair, PUC - Painted Smooth	
			Weld	
			Matting, Floor, Hatch Compt - Rubber Matting	
242	0733406		Handrails, Hatch Step Area, (1) Curved & (1) Straight	1
243	0688124		Lights, Hatch Compt, LED Strip Light, 189", Both Sides	1
244	0687145		Shelf Tracks, Recessed, PUC/3rd Generation	1

Line	Option	Type	Option Description	Qty
245	0600350		500 lb Adjustable Shelf Qty, Shelf - 05 Material Finish, Shelf - Painted - Spatter Gray Location, Shelves/Trays, Predefined - LS1-Transition Point, RS2-Centered, RS1-Lower Third, RS3-Lower Third Left of Partition and LS2-Centered	5
246	0647091		Tray, Floor Mounted, Slide-Out, 500lb, 2.00" Sides Qty, - 01 Location, Tray Slide-Out, Floor Mounted - LS1 Material Finish, Tray - Painted - Spatter Gray	1
247	0726424		Partition, Vertical, Hatch Compt, Adj Front to Back Qty, Partition - 08 Location Within Compartment - two per hatch compartment	8
248	0726457		Partition, Vertical Compt, Predefined Locations Qty, Partition - 01 Location, Partition/Toolboard, Predefined - RS3- 20.00" From Forward Door Frame	1
249	0502687		Matting, Dri-Deck, Compartment Trays and Shelves Location - floor mounted tray in LS3 and shelves in Ls1, LS2, RS1, RS2, RS3 Qty, Comp. Accessory - 06 Color - 1) black	6
250	0006118		Matting, Dri-Deck w/Bevel, Compartment Floor only Location - B1, LS2, LS3, RS1, RS2, RS3 Qty, Comp. Accessory - 06 Color - 1) black	6
251	0063064		Rub Rail, Aluminum Extruded, Side of Body, 3rd Gen Body	1
252	0515441		Fender Crowns, Rear, S/S, W/Removable Fender Liner, Pumper, 3G Material Finish, Fender Liner - Brushed Stainless	1
253	0519849		Not Required, Hose, Hard Suction	1
254	0527021		Handrails Located @ Front Body	1
255	0664688		Handrails, Rear, PUC/HDRP	1
256	0011212		Handrail, Not Required, Rear Hose Bed, Pumper	1
257	0636301		Compt, Extinguisher (2) Fender Panel, Triangular Door, 8" Dia Location, Bracket/comp. - RS forward of wheel and RS rearward of wheel Qty, - 02 Door Finish, Fender Compt - Polished Latch, Air Bottle Compt - Southco C2 Chrome Raised Insert, Air Bottle Compt - Rubber Matting	2
258	0657522		Compt, Air Bottle, Triple, Fender Panel Qty, Air Bottle Comp - 1 Door Finish, Fender Compt - Polished Location, Fender Compt - Triple - LS Fwd Latch, Air Bottle Compt - Southco C2 Chrome Raised Insert, Air Bottle Compt - Rubber Matting	1
259	0004225		Ladder, 24' Duo-Safety 900A 2-Section	1
260	0004230		Ladder, 14' Duo-Safety 775A Roof	1
261	0637942		Ladders Btwn Tank & S.Sht, LS, Built Into Body, Pumper Style, PUC Door, Material & Finish, Ladder Storage - smooth aluminum Latch, Door Ladder Storage - D-Handle latch	1
262	0733387		Ladder, 10' Duo-Safety Folding 585A	1
263	0725893	SP	Compt w/Trough, Folding Ladder, In Upper Body, LS, Common Door	1
264	0602877		Pike Pole, Pumper, Provided by Fire Department, NFPA 2016 Pike Pole Make/Model - Duo-Safety 10' Pike Pole	1
265	0732983		Tube, Pike Pole 8' or Longer, Thru-Body Ladder Storage Qty, Pike Poles - 2 Location, Left Side, Right Side - Left Side Width, Notch, Pike Pole Tube - 1.38", NY Notch	2
266	0602875		Pike Pole, 6', Pumper, Provided by Fire Department, NFPA 2016 Pike Pole Make/Model - Duo-Safety 6' Pike Pole	1
267	0732328		Not Required	1
268	0521734		No Steps Required, Front Of Body, PUC	1

Line	Option	Type	Option Description	Qty
269	0586586		Steps, Folding, Rear of Body, w/LED, Trident, PUC	1
			Coating, Step - black	
270	0515692		31" Control Zone Side Mount	1
271	0520016		Not Required, Pumphouse Structure, PUC	1
272	0889385		Pump, Pierce, 1500 GPM, Single Stage, PUC-NG	1
273	0515822		Seal, Mechanical, Silicon Carbide, PUC Pump	1
274	0802234		Gear Case, Integrated Pump Transmission, PUC-NG, Cummins	1
275	0501370		Pumping Mode, Stationary Only, No Cab Gauges, PUC	1
276	0515829		Pump Shift, Sure-Shift	1
277	0515833		Transmission Lock-up, Not Req'd, Park to Neutral, Pump, PUC	1
278	0515835		Auxiliary Cooling System, PUC	1
279	0014486		Not Required, Transfer Valve, Single Stage Pump	1
280	0746501		Valve, Relief Intake, Elkhart	1
			Qty - 1	
			Pressure Setting - 125 psig	
			Intake Relief Valve Control - Behind Right Side Pump Panel	
281	0724463		Controller, Pressure, Pierce LCD, PUC	1
			Pressure Governor Throttle Control - Clockwise	
			Pressure Governor Default Mode - Pressure Setting	
282	0072153		Primer, Trident, Air Prime, Air Operated	1
283	0780359		Manuals, Pump, (2) Total, Electronic Copies, Pierce PUC Pump	1
284	0602496		Plumbing, Stainless Steel and Hose, Single Stage Pump, PUC	1
285	0089437		Plumbing Without Foam System	1
286	0517852		Inlets, 6.00" - 1250-2000 GPM, Pierce PUC Pump	1
287	0014650		Pump Suction Tube(s), Short, All	1
288	0602448		Cap, Main Pump Inlet, Provided by Fire Department, NFPA 2016	1
289	0084610		Valves, Akron 8000 series- All	1
290	0520002		Valve, Inlet(s) Recessed, Side Cntrl, PUC	1
			Qty, Inlets - 1	
291	0004700		Control, Inlet, at Valve	1
292	0004660		Inlet (1), Left Side, 2.50"	1
293	0029147		Not Required, Inlet, Right Side	1
294	0897257		Inlet, 4" to 6" Front, 5" Plumbing, w/Bleeder Valve, Top of Bumper	1
			Inlet, Size - Five	
			Drain, Suction - T Swing Handle	
			Inlet, Front, Valve - Jamesbury 5.00"	
			Inlet, Front, Plumbing - Black Iron Pipe	
295	0014823		Control, Front Inlet, Electric, w/Indicator Lights	1
296	0755136		Valve, Relief Intake, Front Inlet, Elkhart	1
			Pressure Setting - 125 psig	
297	0732444		Swivel, Front Inlet, 4.00" to 6.00", w/Drain	1
			Inlet, Size - 5.00" Inlet	
			Inlet Bleeder - Quarter-Turn Style Bleeder	
			Finish, Front Inlet Elbow/Adapter - Chrome	
298	0602450		Cap, Front Inlet, Long Handle, Provided by Fire Department, NFPA 2016	1
299	0092569		No Rear Inlet (Large Dia) Requested	1
300	0064116		No Rear Inlet Actuation Required	1
301	0092696		Not Required, Cap, Rear Inlet	1
302	0009648		No Rear Intake Relief Valve Required on Rear Inlet	1
303	0092568		No Rear Auxiliary Inlet Requested	1
304	0723049		Valve, .75" Bleeder, Aux. Side Inlet, "T" Swing Handle	1
305	0520277		Tank to Pump, (1) 3.00" Valve, 4.00" Plumbing, PUC	1
306	0595508		Outlet, Tank Fill, 1.50", PUC	1
307	0766941		Control, Outlets, Swing Handle, Elec Right Outlets Akron 9335 w/Press Disp, PUC	1
308	0516755		Outlet, Left Side, 2.50" (2), PUC	1
309	0055095		Not Required, Elbow, Left Side Outlets, 2.50"	1
310	0092570		Not Required, Outlets, Left Side Additional	1
311	0035094		Not Required, Elbow, Left Side Outlets, Additional	1
312	0557240		Not Required, Outlet, Right Side, PUC	1
313	0021134		Not Required, Elbow, Right Side Outlets	1
314	0733304	SP	Outlet, Right Side, Additional, 2.50", PUC	1

Line	Option	Type	Option Description	Qty
315	0055096		Elbow, Right Side Outlets, 45 Degree, 2.50" FNST x 2.50" MNST, VLH, Additional Qty, Discharges - 01	1
316	0766992		Outlet, Right Side, 4" w/4" Valve, Akron 9335 Elec Controller, PUC	1
317	0527969		Cap, Large Dia Outlet, 4.00", IPO Elbow	1
318	0649939		Outlet, Front, 1.50" w/2" Plumbing Fitting, Outlet - 1.50" NST with 90 degree swivel Drain, Front Outlet - Automatic Location, Front, Single - in center bumper tray	1
319	0092575		Not Required, Outlet, Rear	1
320	0045099		Not Required, Elbow, Rear Outlets	1
321	0537394		Not Required, Outlet, Rear, Additional, PUC	1
322	0537395		Not Required, Elbow, Rear Outlets, Additional	1
323	0516824		Outlet, Front of Hose Bed, 2.50", PUC Qty, Discharges - 01 location - HB4	1
324	0752097		Caps/Plugs for 1.00" to 3.00" Discharges/Inlets, Chain	1
325	0723042		Valve, 0.75" Bleeder, Discharges, "T" Swing Handle	1
326	0516280		Outlet, 3.00" Deluge w/2.50" Valve, w/TFT Extend-a-Gun XG18, PUC	1
327	0543604		Monitor, Akron 3431 Hi-Riser and 5" storz Inlet Grd Base Monitor Finish - Painted by OEM	1
328	0046968		Nozzle, Akron 2499, Quad Stacked Tips and 3488 Shaper	1
329	0026604		Deluge Mount, Bolt Flange, Reinforced for Hi-Riser/DeckMaster	1
330	0820377	SP	Crosslay Module, Full Width, Raised Lowered Crosslays 4.00", PUC	1
331	0723033	SP	Hose Restraint, Crosslay, 2" Nylon Web, (2) Seat Belt Buckle, Tether Release,PUC Color, Strap - Orange Release, Seat Belt Buckle - Bar	1
332	0747660		Lights, Crosslay Compt, Forward LED, 2Lts	1
333	0750916		Two 1.50" Crosslays Crosslay/Deadlay/Speedlay Capacity 1 - 200' of 1.75" double jacket hose	1
334	0749431		Deadlay (1), No Plumbing, W/Poly Tray, PUC Crosslay/Deadlay/Speedlay Capacity 1 - full width and height of upper crosslay area	1
335	0044333		Foam System Not Required	1
336	0012126		Not Required, CAF Compressor	1
337	0552517		Not Required, Refill, Foam Tank	1
338	0042573		Not Required, Foam System Demonstration	1
339	0045465		Not Required, Foam Tanks	1
340	0091110		Not Required, Foam Tank Drain	1
341	0091079		Not Required, Foam Tank #2	1
342	0091112		Not Required, Foam Tank #2 Drain	1
343	0738072		Approval Dwg, Pump Panel(s), Not Required	1
344	0032479		Pump Panel Configuration, Control Zone	1
345	0635100		Material, Pump Panels, Operators Painted FormCoat Black, Sides UL-LX, PUC Material, Pump Panel, Side Control - Stainless Steel	1
346	0516978		Pump and Plumbing Access, Simple Tilt Service, PUC	1
347	0618458		Light, Pump Compt, WIn 3SC0CDR LED White, PUC Qty, - 01	1
348	0516983		Gauges, Engine, Included With Pierce Pressure Controller, PUC	1
349	0005601		Throttle, Engine, Incl'd w/Press Controller	1
350	0739224		Indicator Light @ Pump Panel, Throttle Ready, Incl w/Pressure Gov/Throttle,Green	1
351	0549333		Indicators, Engine, Included with Pressure Controller	1
352	0069390		Control, Air Horn At Pmp Pnl, Red Button	1
353	0511078		Gauges, 4.00" Master, Class 1, 30"-0-600psi	1
354	0511100		Gauge, 2.00" Pressure, Class 1, 30"-0-400psi	1
355	0898945	SP	Gauge, Flowmeter, Right Side Outlet Manifold, FRC , PUC	1
356	0750526		Gauge, Water Level, Pierce, In pressure Controller, Lt Driver	1
357	0750438		Water Level Gauge, WIn PSTANK2, LED 1-Light, 4-Level Qty, - 03 Activation, Water Level G - pb) parking brake is applied Location, Water Level Gauge, Multi-Select - LS Crew Cab - High and Aft Door, RS Crew Cab - High and Aft of Door and Rear Body - LS Color, Trim - Chrome Trim	3

Line	Option	Type	Option Description	Qty
358	0006774		Not Required, Foam Level Gauge	1
359	0653081		Light, Pump Operator & Panel, Side Ctrl, PUC, 60354C LED Cab & LED OH Chr Cvr	1
360	0606694		Air Horns, (2) Hadley, 6" Round, eTone, In Bumper	1
361	0606832		Location, Air Horns, Bumper, Left Side, Outside Frame, Same Side (Pos #6 & #7)	1
362	0757092		Control, Air Horn, Multi Select	1
363	0757084		Control, Air Horn, Horn Ring	1
364	0756820		Control, Air Horn, Lanyard, Center	1
365	0525667		Lanyard - Link Chain, Vinyl Tubing Siren, WIn 295SLSA1, 100 or 200 Watt	1
366	0510206		Location, Elect Siren, Recessed Overhead In Console	1
367	0076156		Location, Elec Siren - Overhead, DS Inside Sw Pnl Control, Elec Siren, Head Only	1
368	0601306		Speaker, (1) WIn, SA315P, w/Pierce Polished Stainless Steel Grille, 100 watt	1
369	0601565		Connection, Speaker - siren head Location, Speaker, Frt Bumper, Recessed, Center (Pos 4)	1
370	0895310		Siren, Federal Q2B	1
371	0006095		Finish, Q2B Siren - Chrome Siren, Mechanical, Mounted Above Deckplate	1
372	0748305		Location, Siren, Mech - a) Left Control, Mech Siren, Multi Select	1
373	0748282		Control Mech Siren, Ft Sw LS	1
374	0748279		Control Mech Siren, Push Button Sw, RS	1
375	0740391		Sw, Siren Brake, Momentary Chrome Push Button, RS	1
376	0735899		Sw, Siren Brake, Mom Rocker, Red Outline, LS Overhead Sw Pnl, Mux	1
377	0746353		Not Required, Warning Lights Intensity	1
378	0818050	SP	Lightbar, WIn, Freedom IV-Q, 81", RBWRBR__Str__RGRWGR **	1
379	0790846		Filter, Whl Freedom Ltbrs - No Filters Power Supply, WIn PE215 Traffic Light Controller, Single Strobe Tube	1
380	0634693		Opticom Priority - b) High Opticom Activation - Cab Switch & E-Master Momentary Opticom Activation - No Activation Light, Front Zone, WIn M6* LED, 6RB** LED, Q-Bezel 4lts	1
381	0653937		Color, Lens, LED's - c)clear Color, Lt DS Frnt Outside - DS Front Outside Red Color, Lt PS Frnt Outside - PS Front Outside Red Color, Lt DS Frnt Inside - b) DS Front Inside Blue Color, Lt PS Front Inside - g) PS Front Inside Green Flasher, Headlight Alternating	1
382	0793476		Headlt flash deactivation - a)w/high beam Lights, Side Zone Lower, WIn M6** LED, PUC, 2pr	1
383	0743910		Location, Lights Front Side - b)each side bumper Color, Lens, LED's - Clear Color, Lt Side Front - Red Color, Lt Side Rear - Red Location, Lights Rear Side - Over Rear Wheels Lights, Side, WIn M6** LED, Trm Fet 1st	2
384	0540783		Location, Lights - one on driver side and one on the passenger side hatch areas centered high wise and all the way forward Qty, - 02 Color, Lights, Warning - Red Flashing Color, Lens, LED's - Clear Color, Trim - Chrome Trim	1
385	0743720		Lights, Rear Zn Lwr, WIn M6*C LED Color, Lt DS Rear - r) DS Rear Lt Red Color, Lt PS Rear - r) PS Rear Lt Red	1
386	0006551		Lights, Rear/Side Up Zone, WIn M6** LED 4lts Color, Lens, LED's - Clear Color, Lt, Side Rear Upper DS - Red Color, Lt, Side Rear Upper PS - Red Color, Lt, Rear Upper DS - Red Color, Lt, Rear Upper PS - Red Color, Trim - Chrome Trim Not Required, Lights, Rear Upper Zone Blocking	1

Line	Option	Type	Option Description	Qty
387	0590000		No Hose Bed Warn Light Brackets Required,Lights Mounted on Hatch/Body Compts,PUC	1
388	0791528		Light, Traffic Directing, WIn TAL65, 36.00" Long, TACTL5	1
			Activation, Traffic Dir L - Not Connected	
389	0806661		Location, Traf Dir Lt, Over Bed Between Body Side Shts, Crosstube (Not Included)	1
390	0530281		Location, Traf Dir Lt Controller, Center Console in Sw Pnl	1
391	0767819		Light Twr, W-B Chf Pr NS2.3-225 WHL, 3-P*H1 12VDC Lts Cld 7.5'	1
			Color, Tower, Wlb - White Paint	
			Scene Light Optics - combination	
392	0664471		Location, Light Tower, Cargo Area	1
393	0617750		Controller, Lt Twr, W-B, Wired Hndhd, E-STOP Chf, Chf Pr, Pow Pr	1
394	0664791		Location, Light Tower Controller, Driver's Side Front Body Compartment	1
395	0781579		Receptacle, 15/20A 120V 3-Pr 3-Wr, NEMA 5-20R SB Dup, 1st, Interior Cab	3
			Qty, - 03	
			Location 1 - in rear facing ems cabinet on officer side back wall up high to the right, one is LS2 and one in RS2 on the ceiling next to the 12V power AC Power Source - Shoreline to Inverter Internal Transfer Sw Cover, Receptacle - Interior SS Wall Plate(s)	
396	0519934		Not Required, Brand, Hydraulic Tool System	1
397	0649753		Not Required, PTO Driven Hydraulic Tool System	1
398	0007150		Bag of Nuts and Bolts	1
			Qty, Bag Nuts and Bolts - 1	
399	0602516		NFPA Required Loose Equipment, Pumper, NFPA 2016, Provided by Fire Department	1
400	0602407		Soft Suction Hose, Provided by Fire Department, Pumper NFPA 2016 Classification	1
401	0027023		No Strainer Required	1
402	0602538		Extinguisher, Dry Chemical, Pumper NFPA 2016 Class, Provided by Fire Department	1
403	0602360		Extinguisher, 2.5 Gal. Pressurized Water, Pumper NFPA 2016,Provided by Fire Dept	1
404	0602679		Axe, Flathead, Pumper NFPA 2016 Classification, Provided by Fire Department	1
405	0602667		Axe, Pickhead, Pumper NFPA 2016 Classification, Provided by Fire Department	1
406	0741569		Paint Process / Environmental Requirements, Appleton	1
407	0709846		Two-Tone Custom Cab	1
			Paint Color, Upper Area, Predefined - #101 Black	
			Shield, Cab - Standard Shield	
			Paint Color, Lower Area, Predefined - #90 Red	
			Paint Break, Cab - Standard Two-Tone Cab Break	
408	0709833		Paint, Two-Tone Color, Body	1
			Paint Break, Body - Body Seam/Catwalk	
			Paint, Lower Body - Match Cab Lower	
			Paint, Upper Body - Match Cab Upper	
409	0646897		Paint Chassis Frame Assy, E-Coat, Standard	1
			Paint Color, Frame Assembly, Predefined - Gloss Black	
410	0693797		No Paint Required, Aluminum Front Wheels	1
411	0693792		No Paint Required, Aluminum Rear Wheels	1
412	0733739		Paint, Axle Hubs	1
			Paint, Axle Hub - Black #101	
413	0741517		Paint, FormCoat, Black, Tailboard	1
414	0600346		Coating, UL-LX, Pump Panel Surround, PUC	2
			Qty, - 02	
			Location, driver's/passenger's/center - LS & RS	
415	0007230		Compartment, Painted, Spatter Gray	1
416	0544129		Reflective Band, 1"-6"-1"	1
			Color, Reflect Band - A - e) black	
			Color, Reflect Band - B - p) black	
			Color, Reflect Band - C - za) black	
417	0510041		Reflective across Cab Face, Imp/Vel	1
418	0593732		Stripe, Chevron, Rear, Diamond Grade, Pumper, PUC	1
			Color, Rear Chevron DG - fluorescent yellow green	
419	0079341		Jog, In Reflective Stripe "Hockey Stick"	1
			Qty, - 01	
420	0545179		Stripe, Diamond Grade, Chevron, Front Bumper	1
			Size, Chevron Striping - 06	

Line	Option	Type	Option Description	Qty
420			Color, Chevron DG - Red 983-72	
			Color, Chevron DG - B - Fluorescent Yellow-Green 983-23	
421	0552453		Stripe, Reflective, Chevron, Cab and Crew Cab Doors Interior, Diamond Grade	1
			Color, Reflect Band - A - p) fluorescent yellow green diamond grade	
			Size, Chevron Striping - 04	
			Color, Reflect Chev - A - r) red diamond grade	
422	0679810		Stripe, Printed Effect Gold Leaf, Two-Tone Paint Break with Shield, IPO Chrome	1
423	0027372		Lettering Specifications, (GOLD STAR Process)	1
424	0685691		Lettering, Printed Effect Gold Leaf, 3.00", (21-40)	1
			Outline, Lettering - Outline and Shade	
425	0732230	SP	Stripe, Printed Effect Gold Leaf, Box, without Scrolls, Upper Body Hatch Compt	1
426	0685981		Lettering, Reflective, 14.00", Each	2
			Qty, Lettering - 02	
			Outline, Lettering - Outline and Shade	
427	0685529		Lettering, Printed Effect Gold Leaf, 11.00", Each	4
			Qty, Lettering - 04	
			Outline, Lettering - Outline and Shade	
428	0685546		Lettering, Printed Effect Gold Leaf, 7.00", (21-40)	1
			Outline, Lettering - Outline and Shade	
429	0686084		Lettering, Reflective, 3.00", Each	8
			Qty, Lettering - 08	
			Outline, Lettering - Outline and Shade	
430	0684184		Emblem, Maltese Cross, Reflective, 15"-17", Pair	1
			Qty, - 01	
			Location, Emblem - crew cab doors	
431	0666388		Emblem, Freedom Flag with Twin Towers, Each	2
			Qty, - 02	
			Location, Emblem - Behind crew cab doors	
			Size, Flag - 9" - 11"	
432	0769753		Emblem, American Flag Painted on Cab Grille, All Custom Chassis	1
433	0599008		Rust Proof/Undercoat, Custom Chassis	1
			Color, Undercoating - Black	
434	0003079		Rust proof/Undercoat, Cab & Body w/Roll-up Doors, Ziebart	1
435	0772003		Manual, Fire Apparatus Parts, USB Flash Drive, Custom	1
			Qty, - 01	
436	0772037		Manual, Chassis Service, USB Flash Drive, Custom	1
			Qty, - 01	
437	0773381		Manual, Chassis Operation, (1) USB Flash Drive, Custom	1
438	0030008		Warranty, Basic, 1 Year, Apparatus, WA0008	1
439	0611136		Warranty, Chassis, 3 Year, Velocity/Impel, WA0284	1
440	0696698		Warranty, Engine, Cummins, 5 Year, WA0181	1
441	0684953		Warranty, Steering Gear, Sheppard M110, 3 Year WA0201	1
442	0595767		Warranty, Frame, 50 Year, Velocity/Impel, WA0038	1
443	0595698		Warranty, Axle, 3 Year, TAK-4, WA0050	1
444	0733306		Warranty, Single Axle, 5 Year, Meritor, General Service, WA0384	1
445	0652758		Warranty, ABS Brake System, 3 Year, Meritor Wabco, WA0232	1
446	0019914		Warranty, Structure, 10 Year, Custom Cab, WA0012	1
447	0814378	SP	Warranty, Paint, 10 Year, Cab, WA0054	1
448	0524627		Warranty, Electronics, 5 Year, MUX, WA0014	1
449	0695416		Warranty, Pierce Camera System, WA0188	1
450	0647720		Warranty, Pierce LED Strip Lights, WA0203	1
451	0046369		Warranty, 5-year EVS Transmission, Standard Custom, WA0187	1
452	0685945		Warranty, Transmission Cooler, WA0216	1
453	0688798		Warranty, Water Tank, Lifetime, UPF, Poly Tank, WA0195	1
454	0596025		Warranty, Structure, 10 Year, Body, WA0009	1
455	0693126		Warranty, AMDOR, Roll-up Door, 10 Year/5 Year Painted, WA0185	1
456	0889364		Warranty, Pump, Pierce, PUC-NG, 7 Year Parts, 1 Year Labor, WA0390	1
457	0648675		Warranty, 10 Year S/S Pumping, WA0035	1
458	0641372		Warranty, Foam System, Not Available	1
459	0813068	SP	Warranty, Paint, 10 Year, Body, WA0056	1
460	0595421		Warranty, Goldstar, 3 Year, Apparatus, WA0018	1
461	0683627		Certification, Vehicle Stability, CD0156	1



Line	Option	Type	Option Description	Qty
462	0808580		Certification, Engine Installation, Imp/Vel, Cummins X10, 2027	1
463	0686786		Certification, Power Steering, CD0098	1
464	0892701		Certification, Cab Integrity, Impel/Velocity FR, CD0190	1
465	0548950		Certification, Cab Door Durability, Velocity/Impel, CD0001	1
466	0548967		Certification, Windshield Wiper Durability, Impel/Velocity, CD0005	1
467	0667411		Certification, Electric Window Durability, Velocity/Impel FR, CD0004	1
468	0549273		Certification, Seat Belt Anchors and Mounting, Imp/Vel/Vel SLT, CD0018	1
469	0735950		Certification, Cab HVAC System Perf, Vel/Imp FR, CD0166/CD0168/CD0176/CD0177	1
470	0545073		Amp Draw Report, NFPA Current Edition	1
471	0002758		Amp Draw, NFPA/ULC Radio Allowance	1
472	0799248		Appleton/Florida BTO	1
473	0000048		PUMPER/TANKER, 3rd Gen	1
474	0000012		PIERCE CHASSIS	1
475	0004713		ENGINE, OTHER	1
476	0046395		EVS 3000 Series TRANSMISSION	1
477	0520324		PIERCE PUMP, PUC	1
478	0020009		POLY TANK	1
479	0028047		NO FOAM SYSTEM	1
480	0020006		SIDE CONTROL	1
481	0020007		AKRON VALVES	1
482	0020014		FRONT SUCTION	1
483	0020015		ABS SYSTEM	1
484	0658751		PUMPER BASE	1

**EXHIBIT C - PROPOSAL**

**SEE PROPOSAL FOR Bid Number 1185 Dated December 19, 2023.**

**COMMITTEE AGENDA ITEM  
VILLAGE OF HOFFMAN ESTATES**

**SUBJECT:** **REQUEST AUTHORIZATION TO WAIVE FORMAL BID AND PURCHASE ONE (1) HORTON TYPE 1 AMBULANCE ON A 2025 FREIGHTLINER M2 CHASSIS FROM FOSTER COACH SALES OF STERLING, ILLINOIS IN A TOTAL AMOUNT NOT TO EXCEED \$465,687 (SUBURBAN PURCHASING COOPERATIVE PRICING), AND AUTHORIZATION TO THE VILLAGE MANAGER FOR CHANGE ORDERS NOT TO EXCEED \$25,000, IF NECESSARY**

**MEETING DATE:** **January 15, 2024**

**COMMITTEE:** **Public Health and Safety Committee**

**FROM:** **Alan Wax, Fire Chief** *AW*

**PURPOSE:** The Fire Department requests authorization to waive formal bid and purchase one (1) Horton ambulance on a Freightliner M2 chassis from Foster Coach Sales of Sterling, Illinois in a total amount not to exceed \$465,687 (Suburban Purchasing Cooperative pricing), and authorization to the Village Manager for change orders not to exceed \$25,000, if necessary.

**BACKGROUND:** The Fire Department's Equipment Replacement Schedule includes the replacement of an ambulance in 2025. Due to issues in the market, the current expected delivery time on ambulances is three years. The Department is still waiting for delivery of two ambulances ordered in November of 2022. Thus, the Village's FY2024–2028 Capital Improvements Program (CIP) includes the scheduled 2025 ambulance replacement in 2024, knowing that it may not arrive until 2027. The ambulance to be replaced currently has over 110,000 miles.

**DISCUSSION:** This proposed ambulance consists of the same specification as was ordered for the two ambulances in 2022, with necessary adjustments for a 2025 model-year chassis. The price reflects the current purchasing cooperative price for the ambulance, including power-cot and power-cot-loading system. Payment is due on delivery.

**FINANCIAL IMPACT:** The FY2024 Capital Budget includes the replacement of the ambulance. The cost of the ambulance, as specified, is \$465,687. This is more than \$34,000 under the budgeted amount.

The funds included in the 2024 Budget will not be expended until actual delivery occurs (likely in 2027); the funds allocated for 2024 will “roll-over” from year-to-year until time of delivery.

Staff also recognizes that there is a possibility of the need for change orders, especially if there were to be regulatory changes (though we are not aware of any on the horizon). Additionally, as a vehicle is built, there may be adjustments necessary that could involve cost additions or subtractions. Staff does not recommend adding a contingency for such to the contract with the manufacturer, but requests that the Board grant the Village Manager authority to approve such changes, up to a total of \$25,000.

**RECOMMENDATION:** Staff recommends approval of the purchase of one (1) Horton ambulance on a Freightliner M2 chassis through the Suburban Purchasing Cooperative from Foster Coach Sales of Sterling, Illinois, in a total amount not to exceed \$465,687. Staff further recommends that the Village Board approve authorization of the Village Manager to approve change orders that do not exceed a cumulative total of \$25,000, if necessary.

**ATTACHMENTS:** Foster Coach Ambulance Quote and Specifications

**FOSTER COACH SALES, INC.**

903 Prosperity Drive Street P.O. Box 700  
Sterling, Illinois 61081

Phone: (815) 625-3276  
(800) 369-4215  
Fax: (815) 625-7222  
Web site: www.fostercoach.com

**PF01199**

**QUOTATION**

TO: HOFFMAN ESTATES FIRE DEPARTMENT  
1900 HASSELL RD  
HOFFMAN ESTATES, IL 60169

DATE: 01/08/24

ATTN: TIM BEYER

REFERENCE: NEW AMBULANCE

We are pleased to submit the following quotation in accordance with your request and subject to the Terms and Conditions listed below and on the reverse side hereof.

QTY.	DESCRIPTION	EACH	NET PRICE
1	2025 FREIGHTLINER M2 CHASSIS ON A CUSTOM HORTON CONVERSION PER CUSTOMER SPECIFICATIONS INCLUDES STRYKER POWER XT COT AND STRYKER POWER LOAD SYSTEM WITH STANDARD WARRANTIES PRICING PER CONTRACT #214 - NWMC/SPC	\$ 465,687.00	\$ 465,687.00
		\$ Total	\$ 465,687.00
	ACCEPTED BY: _____ TITLE: _____ Date: _____		

ESTIMATED DELIVERY:  
2+ YEARS DEPENDING ON CHASSIS

PROPOSED BY:   
P.J. FOSTER, VICE PRESIDENT OF SALES

**Prepared by:**  
John Grosboll  
PREMIER TRUCK GROUP OF  
DALLAS  
4200 PORT BOULEVARD  
DALLAS, TX 75241  
Phone: 972 213 5290

*A proposal for*  
**HORTON EMERGENCY VEHICLES**

*Prepared by*  
**PREMIER TRUCK GROUP OF DALLAS**  
*John Grosboll*

*Oct 13, 2023*

**Freightliner M2 106**  
**Hoffman Estates, IL**  
**Specifications**

**HOR314**

**Hydraulic brakes, 2-color black-over-red, airliner suspension**



Components shown may not reflect all spec'd options and are not to scale

Application Version 11.8.106  
Data Version PRL-28M.016  
Hoffman Estates IL - HOR314



10/13/2023 10:21 AM

Page 1 of 23

## S P E C I F I C A T I O N   P R O P O S A L

Data Code	Description
<b>Price Level</b>	
PRL-28M	M2 PRL-28M (EFF:MY25 ORDERS)
<b>Data Version</b>	
DRL-016	SPECPRO21 DATA RELEASE VER 016
<b>Vehicle Configuration</b>	
001-172	M2 106 CONVENTIONAL CHASSIS
004-225	2025 MODEL YEAR SPECIFIED
002-004	SET BACK AXLE - TRUCK
019-002	STRAIGHT TRUCK PROVISION
003-001	LH PRIMARY STEERING LOCATION
<b>General Service</b>	
AA1-002	TRUCK CONFIGURATION
AA6-002	DOMICILED, USA (EXCLUDING CALIFORNIA AND CARB OPT-IN STATES)
99D-020	EPA EMISSIONS CERTIFICATION FOR 50 STATE REGISTRATION - CARB EXEMPT, FIRE AND EMERGENCY VEHICLES ONLY (INCLUDES 6X4 INCH LABEL ON LOWER FORWARD OF DRIVER DOOR)
AF2-998	NO STATE/PROVINCE INITIAL REGISTRATION SELECTED
A85-006	RESCUE AND EMERGENCY SERVICE
A84-1EV	EMERGENCY VEHICLES BUSINESS SEGMENT
AA4-011	FIXED LOAD COMMODITY
AA5-002	TERRAIN/DUTY: 100% (ALL) OF THE TIME, IN TRANSIT, IS SPENT ON PAVED ROADS
AB1-008	MAXIMUM 8% EXPECTED GRADE
AB5-001	SMOOTH CONCRETE OR ASPHALT PAVEMENT - MOST SEVERE IN-TRANSIT (BETWEEN SITES) ROAD SURFACE
995-091	MEDIUM TRUCK WARRANTY
A66-99D	EXPECTED FRONT AXLE(S) LOAD : 9880.0 lbs



Data Code	Description
A68-99D	EXPECTED REAR DRIVE AXLE(S) LOAD : 12000.0 lbs
A63-99D	EXPECTED GROSS VEHICLE WEIGHT CAPACITY : 21880.0 lbs

### Truck Service

AA3-024	AMBULANCE BODY
AF3-212	HORTON EMERGENCY VEHICLES
AF7-99D	EXPECTED BODY/PAYLOAD CG HEIGHT ABOVE FRAME "XX" INCHES : 32.0 in

### Engine

101-22A	CUM B6.7 260EV HP @ 2400 RPM, 2600 GOV, 660 LB-FT @ 1600 RPM, R/F/E
---------	--

### Electronic Parameters

79A-075	75 MPH ROAD SPEED LIMIT
79B-000	CRUISE CONTROL SPEED LIMIT SAME AS ROAD SPEED LIMIT
79K-007	PTO MODE ENGINE RPM LIMIT - 1100 RPM
79M-001	PTO MODE BRAKE OVERRIDE - SERVICE BRAKE APPLIED
79P-002	PTO RPM WITH CRUISE SET SWITCH - 700 RPM
79Q-003	PTO RPM WITH CRUISE RESUME SWITCH - 800 RPM
79S-009	PTO MODE CANCEL VEHICLE SPEED - 0 MPH
79U-007	PTO GOVERNOR RAMP RATE - 250 RPM PER SECOND
79W-001	ONE REMOTE PTO SPEED
79X-008	PTO SPEED 1 SETTING - 1100 RPM
80G-002	PTO MINIMUM RPM - 700
80J-002	REGEN INHIBIT SPEED THRESHOLD - 5 MPH

### Engine Equipment

99C-024	EPA 2010/GHG 2024 CONFIGURATION
13E-001	STANDARD OIL PAN
105-001	ENGINE MOUNTED OIL CHECK AND FILL
014-099	SIDE OF HOOD AIR INTAKE WITH FIREWALL MOUNTED DONALDSON AIR CLEANER
124-113	LN 12V 325 AMP BLP4002H BRUSHLESS PAD ALTERNATOR WITH REMOTE SENSE AND LAMP TERMINAL
292-206	(3) DTNA GENUINE, FLOODED STARTING, MIN 2850CCA, 525RC, THREADED STUD BATTERIES



Data Code	Description
290-017	BATTERY BOX FRAME MOUNTED
281-001	STANDARD BATTERY JUMPERS
282-042	LH BATTERY BOX MOUNTED AS FAR AFT AS POSSIBLE, NO GREATER THAN 60 INCHES BACK OF CAB
291-017	WIRE GROUND RETURN FOR BATTERY CABLES WITH ADDITIONAL FRAME GROUND RETURN
289-001	NON-POLISHED BATTERY BOX COVER
295-029	POSITIVE AND NEGATIVE POSTS FOR JUMPSTART LOCATED ON FRAME NEXT TO STARTER
* 306-998	NO BATTERY/ISOLATOR CONTROL
107-032	CUMMINS TURBOCHARGED 18.7 CFM AIR COMPRESSOR WITH INTERNAL SAFETY VALVE
108-002	STANDARD MECHANICAL AIR COMPRESSOR GOVERNOR
131-013	AIR COMPRESSOR DISCHARGE LINE
152-039	GVG, FIRE AND EMERGENCY SERVICE VEHICLES ENGINE WARNING
128-1AR	CUMMINS ENGINE INTEGRAL BRAKE WITH VARIABLE GEOMETRY TURBO ON/OFF WITH BRAKE LAMPS
016-1DD	RH OUTBOARD UNDER STEP MOUNTED HORIZONTAL AFTERTREATMENT SYSTEM ASSEMBLY WITH LH HORIZONTAL TAILPIPE EXITING FORWARD OF REAR TIRES
28F-007	ENGINE AFTERTREATMENT DEVICE, AUTOMATIC OVER THE ROAD ACTIVE REGENERATION AND DASH MOUNTED SINGLE REGENERATION REQUEST/INHIBIT SWITCH
239-001	STANDARD EXHAUST SYSTEM LENGTH
237-027	LH HORIZONTAL TAILPIPE, EXIT FORWARD OF REAR TIRES
23U-001	6 GALLON DIESEL EXHAUST FLUID TANK
30N-003	100 PERCENT DIESEL EXHAUST FLUID FILL
43X-002	LH MEDIUM DUTY STANDARD DIESEL EXHAUST FLUID TANK LOCATION
23Y-001	STANDARD DIESEL EXHAUST FLUID PUMP MOUNTING
43Y-001	STANDARD DIESEL EXHAUST FLUID TANK CAP
273-058	AIR POWERED ON/OFF ENGINE FAN CLUTCH
276-002	AUTOMATIC FAN CONTROL WITH DASH SWITCH AND INDICATOR LIGHT, NON ENGINE MOUNTED



Data Code	Description
110-003	CUMMINS SPIN ON FUEL FILTER
118-001	FULL FLOW OIL FILTER
266-100	700 SQUARE INCH ALUMINUM RADIATOR
103-039	ANTIFREEZE TO -34F, OAT (NITRITE AND SILICATE FREE) EXTENDED LIFE COOLANT
171-007	GATES BLUE STRIPE COOLANT HOSES OR EQUIVALENT
172-001	CONSTANT TENSION HOSE CLAMPS FOR COOLANT HOSES
270-016	RADIATOR DRAIN VALVE
168-002	LOWER RADIATOR GUARD
138-010	PHILLIPS-TEMRO 750 WATT/115 VOLT BLOCK HEATER
140-022	CHROME ENGINE HEATER RECEPTACLE MOUNTED UNDER LH DOOR
134-001	ALUMINUM FLYWHEEL HOUSING
132-004	ELECTRIC GRID AIR INTAKE WARMER
155-058	DELCO 12V 38MT HD STARTER WITH INTEGRATED MAGNETIC SWITCH

### Transmission

342-1MP	ALLISON 2100 EVS AUTOMATIC TRANSMISSION WITH PTO PROVISION
---------	--

### Transmission Equipment

343-301	ALLISON VOCATIONAL PACKAGE 354 - AVAILABLE ON 1000/2000 PRODUCT FAMILIES WITH VOCATIONAL MODELS RDS, EVS, HS, MH, PTS AND SPS
84B-003	ALLISON VOCATIONAL RATING FOR FIRE TRUCK/EMERGENCY VEHICLE APPLICATIONS AVAILABLE WITH ALL PRODUCT FAMILIES
84C-003	PRIMARY MODE GEARS, 5 FORWARD GEARS WITH MANUAL SELECTION FOR 3, 2 AND 1, AVAILABLE FOR 1000/2000 PRODUCT FAMILIES ONLY
84E-000	PRIMARY SHIFT SCHEDULE RECOMMENDED BY DTNA AND ALLISON, THIS DEFINED BY ENGINE AND VOCATIONAL USAGE
84F-000	SECONDARY SHIFT SCHEDULE RECOMMENDED BY DTNA AND ALLISON, THIS DEFINED BY ENGINE AND VOCATIONAL USAGE
84G-000	PRIMARY SHIFT SPEED RECOMMENDED BY DTNA AND ALLISON, THIS DEFINED BY ENGINE AND VOCATIONAL USAGE



Data Code	Description
84H-000	SECONDARY SHIFT SPEED RECOMMENDED BY DTNA AND ALLISON, THIS DEFINED BY ENGINE AND VOCATIONAL USAGE
84J-000	ENGINE BRAKE RANGE PRESELECT RECOMMENDED BY DTNA AND ALLISON, THIS DEFINED BY ENGINE AND VOCATIONAL USAGE
84K-000	ENGINE BRAKE RANGE ALTERNATE PRESELECT RECOMMENDED BY DTNA AND ALLISON, THIS DEFINED BY ENGINE AND VOCATIONAL USAGE
84N-200	FUEL SENSE 2.0 DISABLED - PERFORMANCE - TABLE BASED
84U-000	DRIVER SWITCH INPUT - DEFAULT - NO SWITCHES
353-022	VEHICLE INTERFACE WIRING CONNECTOR WITHOUT BLUNT CUTS, AT BACK OF CAB
34C-001	ELECTRONIC TRANSMISSION CUSTOMER ACCESS CONNECTOR FIREWALL MOUNTED
362-662	CUSTOMER INSTALLED CHELSEA 272 SERIES PTO WITH ELECTRIC/AIR CONTROLS
363-001	PTO MOUNTING, LH SIDE OF MAIN TRANSMISSION ALLISON
341-018	MAGNETIC PLUGS, ENGINE DRAIN, TRANSMISSION DRAIN, AXLE(S) FILL AND DRAIN
345-073	DASH MOUNTED T-HANDLE CABLE SHIFT CONTROL WITH PARK BRAKE POSITION
97G-006	TRANSMISSION PROGNOSTICS - DISABLED (N/A) 2013, FOR USE IN 1000/2000 ONLY
370-015	WATER TO OIL TRANSMISSION COOLER, IN RADIATOR END TANK
346-001	TRANSMISSION OIL CHECK AND FILL
35T-001	SYNTHETIC TRANSMISSION FLUID (TES-295 COMPLIANT)

### Front Axle and Equipment

400-1A5	DETROIT DA-F-10.0-3 10,000# FF1 71.5 KPI/3.74 DROP SINGLE FRONT AXLE
402-054	BOSCH HYDRAULIC PIN-SLIDE DISC FRONT BRAKES
403-026	FIRE AND EMERGENCY SEVERE SERVICE, NON-ASBESTOS FRONT LINING
419-004	FRONT DISC BRAKE ROTORS
409-006	FRONT OIL SEALS
408-001	VENTED FRONT HUB CAPS WITH WINDOW, CENTER AND SIDE PLUGS - OIL



Data Code	Description
416-022	STANDARD SPINDLE NUTS FOR ALL AXLES
536-050	TRW THP-60 POWER STEERING
539-003	POWER STEERING PUMP
534-015	2 QUART SEE THROUGH POWER STEERING RESERVOIR
40T-002	CURRENT AVAILABLE SYNTHETIC 75W-90 FRONT AXLE LUBE

### Front Suspension

620-062	10,000# TAPERLEAF FRONT SUSPENSION
619-005	MAINTENANCE FREE RUBBER BUSHINGS - FRONT SUSPENSION
629-004	FRONT SWAYBAR
410-001	FRONT SHOCK ABSORBERS

### Rear Axle and Equipment

420-1C4	DETROIT DA-RS-17.5-2 17,500# L-SERIES SINGLE REAR AXLE
421-410	4.10 REAR AXLE RATIO
424-001	IRON REAR AXLE CARRIER WITH STANDARD AXLE HOUSING
386-079	MXL 16T MERITOR EXTENDED LUBE MAIN DRIVELINE WITH HALF ROUND YOKES
423-054	BOSCH HYDRAULIC PIN-SLIDE DISC REAR BRAKES
433-025	FIRE AND EMERGENCY SEVERE SERVICE NON-ASBESTOS REAR BRAKE LINING
451-005	REAR DISC BRAKE ROTORS
440-006	REAR OIL SEALS
435-009	REAR AXLE MOUNTED AIR OPERATED DRUM PARK BRAKE
41T-003	GUARANTEED NAME BRAND "ROADRANGER SYNTHETIC" FE 75W-90 REAR AXLE LUBE

### Rear Suspension

*	622-1CX	AIRLINER 12,000# REAR SUSPENSION
	621-047	AIRLINER LOW POSITION RIDE HEIGHT
	431-001	STANDARD AXLE SEATS IN AXLE CLAMP GROUP
	888-050	IGNITION CONTROLLED ELECTRIC DUMP SWITCH FOR AIR SUSPENSION WITH GAUGE
	87D-001	REAR AIR SUSPENSION DUMP VALVE AUTOFILL WITH IGNITION OFF OR >5 MPH WITH INDICATOR LIGHT



Data Code	Description
910-004	DUAL AIR REAR SUSPENSION LEVELING VALVES
623-002	TRANSVERSE CONTROL RODS
630-006	10,000/15,000# AIRLINER REAR SUSPENSION STABILIZER BAR
439-004	REAR SHOCK ABSORBERS - ONE AXLE (AIR RIDE SUSPENSION)

### Pusher / Tag Equipment

429-998	NO PUSHER/TAG BRAKE DUST SHIELDS
---------	----------------------------------

### Brake System

018-003	HYDRAULIC BRAKE PACKAGE WITH OPTIONAL AIR SUPPLY
490-032	WABCO HYDRAULIC 4S/4M ABS WITHOUT TRACTION CONTROL
871-011	HYDRAULIC TUBING WITH NYLON AND FABRIC/WIRE BRAID CHASSIS AIR LINES
* 904-009	NYLON PARKING BRAKE HOSE INSTALL QUICK RELEASE VALVE
46D-002	STANDARD AIR SYSTEM PRESSURE PROTECTION SYSTEM
480-086	BW AD-9SI BRAKE LINE AIR DRYER WITH HEATER
479-012	AIR DRYER MOUNTED UNDER HOOD
* 460-077	ONE STEEL AIR BRAKE RESERVOIR MOUNTED INSIDE RAIL
* 46A-007	(1) 1730 CUBIC INCH AUXILIARY AIR TANK, INLET CHECK VALVE
* 477-024	BW DV-2 AUTO DRAIN VALVE WITH HEATER ON ALL TANK(S)

### Trailer Connections

481-998	NO TRAILER AIR HOSE
476-998	NO AIR HOSE HANGER
335-004	UPGRADED CHASSIS MULTIPLEXING UNIT
310-998	NO TRAILER ELECTRICAL CABLE

### Wheelbase & Frame

545-442	4425MM (174 INCH) WHEELBASE
546-094	9/32X3-7/16X10-1/16 INCH STEEL FRAME (7.14MMX255.6/0.281X10.06 INCH) 80KSI
552-030	1600MM (63 INCH) REAR FRAME OVERHANG
55W-006	FRAME OVERHANG RANGE: 61 INCH TO 70 INCH

Data Code	Description
AC8-99D	CALC'D BACK OF CAB TO REAR SUSP C/L (CA) : 108.66 in
AE8-99D	CALCULATED EFFECTIVE BACK OF CAB TO REAR SUSPENSION C/L (CA) : 105.66 in
AE4-99D	CALC'D FRAME LENGTH - OVERALL : 274.6 in
FSS-0LH	CALCULATED FRAME SPACE LH SIDE : 67.59 in
FSS-0RH	CALCULATED FRAME SPACE RH SIDE : 85.86 in
553-001	SQUARE END OF FRAME
550-001	FRONT CLOSING CROSSMEMBER
559-001	STANDARD WEIGHT ENGINE CROSSMEMBER
561-001	STANDARD CROSSMEMBER BACK OF TRANSMISSION
562-001	STANDARD MIDSHIP #1 CROSSMEMBER(S)
572-001	STANDARD REARMOST CROSSMEMBER
565-001	STANDARD SUSPENSION CROSSMEMBER

### Chassis Equipment

556-1AR	THREE-PIECE 14 INCH CHROMED STEEL BUMPER WITH COLLAPSIBLE ENDS
558-001	FRONT TOW HOOKS - FRAME MOUNTED
574-001	BUMPER MOUNTING FOR SINGLE LICENSE PLATE
585-998	NO MUDFLAP BRACKETS
590-998	NO REAR MUDFLAPS
586-024	FENDER AND FRONT OF HOOD MOUNTED FRONT MUDFLAPS
551-017	GRADE 8/CLASS 10.9 THREADED HEX HEADED FRAME FASTENERS INSTALLED WITH BOLT HEADS ON OUTSIDE OF FRAME
607-001	CLEAR FRAME RAILS FROM BACK OF CAB TO FRONT REAR SUSPENSION BRACKET, BOTH RAILS OUTBOARD

### Fifth Wheel

578-998	NO FIFTH WHEEL
---------	----------------

### Fuel Tanks

204-217	34 GALLON/128 LITER SHORT RECTANGULAR ALUMINUM FUEL TANK - LH
218-005	RECTANGULAR FUEL TANK(S)
215-005	PLAIN ALUMINUM/PAINTED STEEL FUEL/HYDRAULIC TANK(S) WITH PAINTED BANDS
212-007	FUEL TANK(S) FORWARD

Data Code	Description
664-001	PLAIN STEP FINISH
205-001	FUEL TANK CAP(S)
122-1J1	DETROIT FUEL/WATER SEPARATOR WITH WATER IN FUEL SENSOR, HAND PRIMER AND 12 VOLT PREHEATER"
216-020	EQUIFLO INBOARD FUEL SYSTEM
202-016	HIGH TEMPERATURE REINFORCED NYLON FUEL LINE

### Tires

093-16R	MICHELIN AGILIS HDZ 245/70R19.5 16 PLY RADIAL FRONT TIRES
094-1FT	MICHELIN XDS2 245/70R19.5 16 PLY RADIAL REAR TIRES
510-16R	MICHELIN AGILIS HDZ 245/70R19.5 16 PLY RADIAL SPARE TIRE
* 508-1FT	MICHELIN XDS2 245/70R19.5 16 PLY RADIAL ADDITIONAL SPARE TIRE

### Hubs

418-014	WEBB IRON FRONT HUBS
450-045	CONMET PRESET IRON REAR HUBS

### Wheels

502-1H2	ALCOA 76542X 19.5X6.75 8-HUB PILOT 4.72 INSET 8-HAND ALUMINUM DISC FRONT WHEELS
505-1H2	ALCOA 76542X 19.5X6.75 8-HUB PILOT 8-HAND ALUMINUM DISC REAR WHEELS
524-001	POLISHED FRONT WHEELS; OUTSIDE ONLY
525-001	POLISHED REAR WHEELS; OUTSIDE OF OUTER WHEELS ONLY
511-1H2	ALCOA 76542X 19.5X6.75 8-HUB PILOT 4.72 INSET 8-HAND ALUMINUM DISC SPARE WHEEL
52L-001	POLISHED OUTSIDE STEER AXLE SPARE WHEEL
* 52M-004	FORCEMATCH TIRE/WHEEL RUNOUT CHECK/MARK AND STATIC BALANCING - ALL TIRES/WHEELS
496-011	FRONT WHEEL MOUNTING NUTS
497-011	REAR WHEEL MOUNTING NUTS
498-011	NYLON WHEEL GUARDS FRONT AND REAR ALL INTERFACES

### Cab Exterior



Data Code	Description
829-071	106 INCH BBC FLAT ROOF ALUMINUM CONVENTIONAL CAB
650-009	RUBBER CAB MOUNTS
678-018	LH AND RH EXTERIOR GRAB HANDLES WITH SINGLE RUBBER INSERT
646-023	HOOD MOUNTED CHROMED PLASTIC GRILLE
65X-003	CHROME HOOD MOUNTED AIR INTAKE GRILLE
644-004	FIBERGLASS HOOD
690-017	HOOD LINER, ADDED FIREWALL AND FLOOR HEAT INSULATION
727-1B0	DUAL 25 INCH ROUND STUTTER TONE HOOD MOUNTED AIR HORNS
726-002	DUAL ELECTRIC HORNS
728-002	DUAL HORN SHIELDS
575-001	REAR LICENSE PLATE MOUNT END OF FRAME
312-088	LED HEADLIGHT ASSEMBLY AND INCANDESCENT MARKER/TURN LAMP WITH CHROME BEZEL
302-047	LED AERODYNAMIC MARKER LIGHTS
311-019	HEADLIGHTS ON WITH WIPERS, WITH DAYTIME RUNNING LIGHTS
294-094	OMIT STOP/TAIL/BACKUP LIGHTS AND PROVIDE WIRING WITH SEPARATE STOP/TAIL WIRES TO 7 FEET BEYOND END OF FRAME
300-015	STANDARD FRONT TURN SIGNAL LAMPS
744-1BC	DUAL WEST COAST BRIGHT FINISH HEATED MIRRORS WITH LH AND RH REMOTE
797-001	DOOR MOUNTED MIRRORS
796-001	102 INCH EQUIPMENT WIDTH
743-204	LH AND RH 8 INCH BRIGHT FINISH CONVEX MIRRORS MOUNTED UNDER PRIMARY MIRRORS
74A-001	RH DOWN VIEW MIRROR
729-001	STANDARD SIDE/REAR REFLECTORS
768-998	NO REAR WINDOW
661-004	TINTED DOOR GLASS LH AND RH WITH TINTED OPERATING WING WINDOWS
654-027	RH AND LH ELECTRIC POWERED WINDOWS, PASSENGER SWITCHES ON DOOR(S)
663-019	1-PIECE ROPED-IN SOLAR GREEN GLASS WINDSHIELD





Data Code	Description
659-019	2 GALLON WINDSHIELD WASHER RESERVOIR WITHOUT FLUID LEVEL INDICATOR, FRAME MOUNTED
<b>Cab Interior</b>	
055-002	INTERIOR CONVENIENCE PACKAGE
707-1AK	OPAL GRAY VINYL INTERIOR
706-026	MOLDED PLASTIC DOOR PANEL WITHOUT VINYL INSERT WITH ALUMINUM KICKPLATE LOWER DOOR
708-026	MOLDED PLASTIC DOOR PANEL WITHOUT VINYL INSERT WITH ALUMINUM KICKPLATE LOWER DOOR
772-006	BLACK MATS WITH SINGLE INSULATION
785-998	NO DASH MOUNTED ASH TRAYS AND LIGHTER
691-008	FORWARD ROOF MOUNTED CONSOLE WITH UPPER STORAGE COMPARTMENTS WITHOUT NETTING
694-010	IN DASH STORAGE BIN
693-998	NO INTERIOR DOOR STORAGE
742-007	(2) CUP HOLDERS LH AND RH DASH
680-006	GRAY/CHARCOAL FLAT DASH
860-004	SMART SWITCH EXPANSION MODULE
700-002	HEATER, DEFROSTER AND AIR CONDITIONER
701-001	STANDARD HVAC DUCTING
703-005	MAIN HVAC CONTROLS WITH RECIRCULATION SWITCH
170-015	STANDARD HEATER PLUMBING
* 130-043	(1) VALEO HEAVY DUTY AND (1) SANDEN COMPACT REFRIGERANT COMPRESSORS
702-002	BINARY CONTROL, R-134A
739-034	PREMIUM INSULATION
285-013	SOLID-STATE CIRCUIT PROTECTION AND FUSES
280-007	12V NEGATIVE GROUND ELECTRICAL SYSTEM
324-011	DOMED DOOR ACTIVATED LH AND RH, DUAL READING LIGHTS, FORWARD CAB ROOF
787-998	NO SECURITY DEVICE
657-001	DOOR LOCKS AND IGNITION SWITCH KEYED THE SAME
78G-002	KEY QUANTITY OF 2
655-005	LH AND RH ELECTRIC DOOR LOCKS



Data Code	Description
284-045	(2) 12 VOLT POWER RECEPTACLES MOUNTED IN DASH
756-339	PREMIUM ISRINGHAUSEN HIGH BACK AIR SUSPENSION DRIVERS SEAT WITH 2 AIR LUMBAR, INTEGRATED CUSHION EXTENSION, TILT AND ADJUSTABLE SHOCK
760-339	PREMIUM ISRINGHAUSEN HIGH BACK AIR SUSPENSION PASSENGER SEAT WITH 2 AIR LUMBAR, INTEGRATED CUSHION EXTENSION, TILT AND ADJUSTABLE SHOCK
759-002	INBOARD DRIVER AND PASSENGER SEAT ARMRESTS
711-004	LH AND RH INTEGRAL DOOR PANEL ARMRESTS
758-1AK	BLACK VINYL DRIVER SEAT COVER
761-1AK	BLACK VINYL PASSENGER SEAT COVER
763-104	HIGH VISIBILITY ORANGE SEAT BELTS WITH DRIVER INDICATOR LIGHT AND AUDIBLE ALARM
532-002	ADJUSTABLE TILT AND TELESCOPING STEERING COLUMN
540-015	4-SPOKE 18 INCH (450MM) STEERING WHEEL
765-002	DRIVER AND PASSENGER INTERIOR SUN VISORS

### Instruments & Controls

106-002	ELECTRONIC ACCELERATOR CONTROL
732-003	WOODGRAIN DRIVER INSTRUMENT PANEL
734-003	WOODGRAIN CENTER INSTRUMENT PANEL
87L-003	ENGINE REMOTE INTERFACE WITH PARK BRAKE AND NEUTRAL INTERLOCKS
870-001	BLACK GAUGE BEZELS
486-001	LOW AIR PRESSURE INDICATOR LIGHT AND AUDIBLE ALARM
198-003	DASH MOUNTED AIR RESTRICTION INDICATOR WITH GRADUATIONS
149-013	ELECTRONIC CRUISE CONTROL WITH SWITCHES IN LH SWITCH PANEL
156-007	KEY OPERATED IGNITION SWITCH AND INTEGRAL START POSITION; 4 POSITION OFF/RUN/START/ACCESSORY
811-042	ICU3S, 132X48 DISPLAY WITH DIAGNOSTICS, 28 LED WARNING LAMPS AND DATA LINKED
160-038	HEAVY DUTY ONBOARD DIAGNOSTICS INTERFACE CONNECTOR LOCATED BELOW LH DASH



Data Code	Description
844-001	2 INCH ELECTRIC FUEL GAUGE
148-070	ENGINE REMOTE INTERFACE WITH PRESET FAST IDLE
4C0-998	NO ADDITIONAL EXTRA SWITCH ACCUATORS
163-004	ENGINE REMOTE INTERFACE CONNECTOR IN ENGINE COMPARTMENT
856-001	ELECTRICAL ENGINE COOLANT TEMPERATURE GAUGE
864-001	2 INCH TRANSMISSION OIL TEMPERATURE GAUGE
830-017	ENGINE AND TRIP HOUR METERS INTEGRAL WITHIN DRIVER DISPLAY
372-051	CUSTOMER FURNISHED AND INSTALLED PTO CONTROLS
736-998	NO OBSTACLE DETECTION SYSTEM
72J-998	NO DR ASSIST SYSTEM
* 49B-998	NO VEHICLE STABILITY ADVISOR OR CONTROL
73B-998	NO LANE DEPARTURE WARNING SYSTEM
852-002	ELECTRIC ENGINE OIL PRESSURE GAUGE
679-001	OVERHEAD INSTRUMENT PANEL
746-135	AM/FM/WB WORLD TUNER RADIO WITH SIRIUSXM, BLUETOOTH, IPOD INTERFACE, USB AND AUXILIARY INPUTS, J1939
747-001	DASH MOUNTED RADIO
750-002	(2) RADIO SPEAKERS IN CAB
753-001	AM/FM ANTENNA MOUNTED ON FORWARD LH ROOF
78C-003	INTEROPERABLE SDAR ANTENNA
810-027	ELECTRONIC MPH SPEEDOMETER WITH SECONDARY KPH SCALE, WITHOUT ODOMETER
817-001	STANDARD VEHICLE SPEED SENSOR
812-001	ELECTRONIC 3000 RPM TACHOMETER
813-1B4	VT-HU CONNECTIVITY PLATFORM HARDWARE
6TS-998	NO TELEMATICS SYSTEM - WIRING
162-002	IGNITION SWITCH CONTROLLED ENGINE STOP
264-032	(2) OVERHEAD MOUNTED LANYARD CONTROLS: (1) OFFICER AIR HORN AND (1) DRIVER AIR HORN
883-998	NO TRAILER HAND CONTROL BRAKE VALVE
836-015	DIGITAL VOLTAGE DISPLAY INTEGRAL WITH DRIVER DISPLAY



Data Code	Description
660-008	SINGLE ELECTRIC WINDSHIELD WIPER MOTOR WITH DELAY
304-001	MARKER LIGHT SWITCH INTEGRAL WITH HEADLIGHT SWITCH
882-017	ONE VALVE PARKING BRAKE SYSTEM WITH SHIFTER CONTROLLED AUTOPARK AND WARNING INDICATOR
299-013	SELF CANCELING TURN SIGNAL SWITCH WITH DIMMER, WASHER/WIPER AND HAZARD IN HANDLE
298-039	INTEGRAL ELECTRONIC TURN SIGNAL FLASHER WITH HAZARD LAMPS OVERRIDING STOP LAMPS

### Design

\* 065-370 PAINT: FTL-EMERGENCY 1

### Color

980-5A1 CAB COLOR A: L0001EY BLACK ELITE EY  
 \* 981-V7W CAB COLOR B: 01034493EY RED ELITE EY  
 986-020 BLACK, HIGH SOLIDS POLYURETHANE CHASSIS PAINT  
 969-998 NO CAB/BODY EXTERIOR DECALS  
 963-003 STANDARD E COAT/UNDERCOATING

### Certification / Compliance

996-001 U.S. FMVSS CERTIFICATION, EXCEPT SALES CABS AND GLIDER KITS

### Secondary Factory Options

998-001 CORPORATE PDI CENTER IN-SERVICE ONLY

### Sales Programs

NO SALES PROGRAMS HAVE BEEN SELECTED

### Extended Warranty

WAG-074 TOWING: 1 YEAR/UNLIMITED MILES/KM EXTENDED TOWING COVERAGE \$750 CAP FEX APPLIES

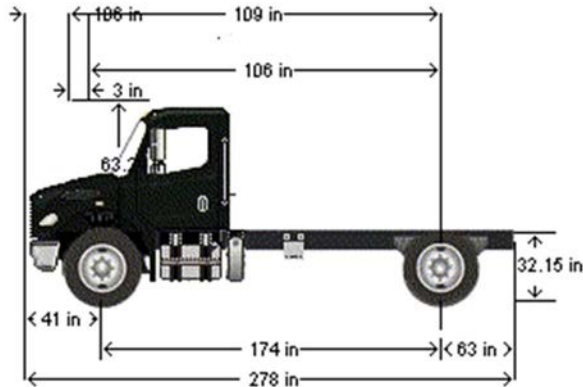


**Prepared by:**  
John Grosboll  
PREMIER TRUCK GROUP OF  
DALLAS  
4200 PORT BOULEVARD  
DALLAS, TX 75241  
Phone: 972 213 5290

(\*\*\*) All cost increases for major components (Engines, Transmissions, Axles, Front and Rear Tires) and government mandated requirements, tariffs, and raw material surcharges will be passed through and added to factory invoices.



## D I M E N S I O N S



### VEHICLE SPECIFICATIONS SUMMARY - DIMENSIONS

Model .....	M2106
Wheelbase (545) .....	4425MM (174 INCH) WHEELBASE
Rear Frame Overhang (552) .....	1600MM (63 INCH) REAR FRAME OVERHANG
Fifth Wheel (578) .....	NO FIFTH WHEEL
Mounting Location (577) .....	NO FIFTH WHEEL LOCATION
Maximum Forward Position (in) .....	0
Maximum Rearward Position (in) .....	0
Amount of Slide Travel (in) .....	0
Slide Increment (in) .....	0
Desired Slide Position (in) .....	0.0
Cab Size (829) .....	106 INCH BBC FLAT ROOF ALUMINUM CONVENTIONAL CAB
Sleeper (682) .....	NO SLEEPER BOX/SLEEPER CAB
Exhaust System (016) .....	RH OUTBOARD UNDER STEP MOUNTED HORIZONTAL AFTERTREATMENT SYSTEM ASSEMBLY WITH LH HORIZONTAL TAILPIPE EXITING FORWARD OF REAR TIRES

### TABLE SUMMARY - DIMENSIONS

Dimensions	Inches
Bumper to Back of Cab (BBC)	106.3
Bumper to Centerline of Front Axle (BA)	40.7
Front Axle to Back of Cab (AC)	65.6
Min. Cab to Body Clearance (CB)	3.0
Back of Cab to Centerline of Rear Axle(s) (CA)	108.7
Effective Back of Cab to Centerline of Rear Axle(s) (Effective CA)	105.7
Back of Cab Protrusions (Exhaust/Intake) (CP)	2.0
Back of Cab Protrusions (Side Extenders/Trim Tab) (CP)	0.0
Back of Cab Protrusions (CNG Tank)	0.0
Back of Cab Clearance (CL)	3.0
Back of Cab to End of Frame	171.7
Cab Height (CH)	63.2
Wheelbase (WB)	174.2
Frame Overhang (OH)	63.0
Overall Frame Length	274.6
Overall Length (OAL)	278.0
Rear Axle Spacing	0.0
Unladen Frame Height at Centerline of Rear Axle	32.2

Performance calculations are estimates only. If performance calculations are critical, please contact Customer Application Engineering.

**G V W R**

**VEHICLE SPECIFICATIONS SUMMARY - GVWR**

Model .....	M2106
Cab Size (829).....	106 INCH BBC FLAT ROOF ALUMINUM CONVENTIONAL CAB
Expected Front Axle(s) Load (lbs).....	9880.0
Expected Pusher Axle(s) Load (lbs).....	0.0
Expected Rear Axle(s) Load (lbs).....	12000.0
Expected Tag Axle(s) Load (lbs).....	0.0
Expected GVW (lbs).....	21880
Expected GCW (lbs).....	0.0
Front Axle (400).....	DETROIT DA-F-10.0-3 10,000# FF1 71.5 KPI/3.74 DROP SINGLE FRONT AXLE
Front Suspension (620).....	10,000# TAPERLEAF FRONT SUSPENSION
Front Hubs (418).....	WEBB IRON FRONT HUBS
Front Disc Wheels (502).....	ALCOA 76542X 19.5X6.75 8-HUB PILOT 4.72 INSET 8-HAND ALUMINUM DISC FRONT WHEELS
Front Tires (093).....	MICHELIN AGILIS HDZ 245/70R19.5 16 PLY RADIAL FRONT TIRES
Front Brakes (402).....	BOSCH HYDRAULIC PIN-SLIDE DISC FRONT BRAKES
Steering Gear (536).....	TRW THP-60 POWER STEERING
Rear Axle (420).....	DETROIT DA-RS-17.5-2 17,500# L-SERIES SINGLE REAR AXLE
Rear Suspension (622).....	AIRLINER 12,000# REAR SUSPENSION
Rear Hubs (450).....	CONMET PRESET IRON REAR HUBS
Rear Disc Wheels (505).....	ALCOA 76542X 19.5X6.75 8-HUB PILOT 8-HAND ALUMINUM DISC REAR WHEELS
Rear Tires (094).....	MICHELIN XDS2 245/70R19.5 16 PLY RADIAL REAR TIRES
Rear Brakes (423).....	BOSCH HYDRAULIC PIN-SLIDE DISC REAR BRAKES
Pusher / Tag Axle (443).....	NO PUSHER OR TAG AXLE
Pusher / Tag Suspension (626).....	NO PUSHER OR TAG SUSPENSION
Pusher / Tag Hubs (449).....	NO PUSHER OR TAG HUBS
Dead/Pusher/Tag Disc Wheels (509).....	NO PUSHER/TAG DISC WHEELS
Pusher / Tag Tires (095).....	NO PUSHER/TAG TIRES
Pusher / Tag Brakes (456).....	NO PUSHER/TAG BRAKES

**TABLE SUMMARY - GVWR**





Prepared by:  
 John Grosboll  
 PREMIER TRUCK GROUP OF  
 DALLAS  
 4200 PORT BOULEVARD  
 DALLAS, TX 75241  
 Phone: 972 213 5290

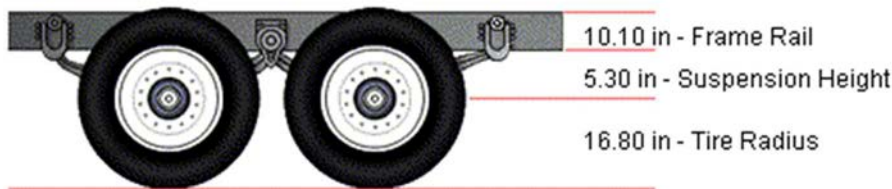
	Front	Rear
<b>Axle Component Weight Ratings</b>		
Axles	10000	17500
Suspension	10000	12000
Hubs	12000	24000
Brakes	13000	17500
Wheels	10000	20000
Tires	9880	18700
Power Steering	13300	N/A
GAWR (per axle)	9880	12000
GAWR (per axle system)	9880	12000
Expected Load (per axle system)	9880	12000
GVWR due to Frame	33000	
GVWR due to Transmission	26000	
<b>Vehicle GVWR Summary</b>		
Calculated GVWR	21880	
Expected GVWR	21880	
All weights displayed in pounds		

Performance calculations are estimates only. If performance calculations are critical, please contact Customer Application Engineering.



## UNLADEN FRAME HEIGHT

Unladen Height	Requested	Calculated
Frame (in)	N/A	32.20



### VEHICLE SPECIFICATIONS SUMMARY - UNLADEN FRAME HEIGHT

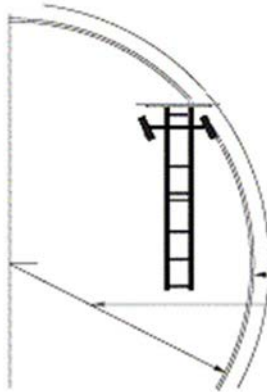
Model .....	M2106
Cab Size (829).....	106 INCH BBC FLAT ROOF ALUMINUM CONVENTIONAL CAB
Frame Rails (546).....	9/32X3-7/16X10-1/16 INCH STEEL FRAME (7.14MMX255.6/0.281X10.06 INCH) 80KSI(546)
Web Height (in).....	10.0625
Flange Thickness (in).....	0.28125
Rear Suspension (622).....	AIRLINER 12,000# REAR SUSPENSION
Rear Suspension Ride Height (621).....	AIRLINER LOW POSITION RIDE HEIGHT
Axle C/L to Bottom of Frame (in).....	5.292
Rear Tires (094) .....	MICHELIN XDS2 245/70R19.5 16 PLY RADIAL REAR TIRES
Unladen Radius (in) .....	16.8
Fifth Wheel (578) .....	NO FIFTH WHEEL
Requested Min Height (in) .....	0.0
Requested Max Height (in) .....	1
Fifth Wheel Leg Height (582) .....	NO FIFTH WHEEL LEG HEIGHT
Rear Tow Device (587).....	NO REAR TOWING DEVICE
Requested Min Height (in) .....	0.0
Requested Max Height (in) .....	0.0

Performance calculations are estimates only. If performance calculations are critical, please contact Customer Application Engineering.

**Prepared by:**  
John Grosboll  
PREMIER TRUCK GROUP OF  
DALLAS  
4200 PORT BOULEVARD  
DALLAS, TX 75241  
Phone: 972 213 5290



## TURNING RADIUS



Turning radius graphic and data provided strictly for comparisons between model configurations. Weather, road surfaces, and tire treads affect the results. It is strongly suggested that actual vehicles be measured before constructing any roads/driveways using this information. For specific figures regarding your configuration, please contact your CAE representative.

	Dimensions	Tolerance
Wall to Wall Diameter (ft)	48.3	+/- 3.0
Curb to Curb Diameter (ft)	46.5	+/- 3.0
Turning Radius (ft)	22.8	+/- 1.5

### VEHICLE SPECIFICATIONS SUMMARY - TURNING RADIUS

Model .....	M2106
Cab Size (829).....	106 INCH BBC FLAT ROOF ALUMINUM CONVENTIONAL CAB
Wheelbase (545).....	4425MM (174 INCH) WHEELBASE
Front Tires (093).....	MICHELIN AGILIS HDZ 245/70R19.5 16 PLY RADIAL FRONT TIRES
Width (in).....	9.7
Front Axle (400).....	DETROIT DA-F-10.0-3 10,000# FF1 71.5 KPI/3.74 DROP SINGLE FRONT AXLE
Kingpin Intersection (in).....	71.5
Bumper (556).....	THREE-PIECE 14 INCH CHROMED STEEL BUMPER WITH COLLAPSIBLE ENDS
Width (in).....	93.5
Bumper Miter to Front Axle (in).....	21.458
Primary Steering Location (003).....	LH PRIMARY STEERING LOCATION
Steering Gear (536).....	TRW THP-60 POWER STEERING
Dual Steering Gear.....	NONE
Ram.....	NONE
Rear Axle (420).....	DETROIT DA-RS-17.5-2 17,500# L-SERIES SINGLE REAR AXLE
Axle Spacing (624).....	NO AXLE SPACING

Performance calculations are estimates only. If performance calculations are critical, please contact Customer Application Engineering.



## PRELIMINARY BUILD SPECIFICATION

Quote # QUO0000009137

Production #

Document Rev. # 1

Status: Draft

**Prepared For:**

TIM BEYER

HOFFMAN ESTATES FIRE DEPARTMENT

1900 HASSELL RD

HOFFMAN ESTATES,

IL

60169

Phone:

**Presented By:**

P.J. Foster

Foster Coach

903 Prosperity Drive

Sterling, IL

61081

Phone: 800-369-4215

Option	QTY	Description
<b>CHASSIS</b>		
1000-0002	1	<b>AMBULANCE SPECIFICATIONS</b>
1000-0003	1	<b>PREVIOUS UNIT REFERENCE NUMBER 21319</b> Previous unit number is as follows.
SR00255074	1	CHASSIS, 2025 FREIGHTLINER M2, 174 The chassis required to complete the ambulance conversion shall be supplied by Horton. OEM CHASSIS OPTIONS QUOTE: HOR314 DATE: 10/13/23 CHASSIS TO INCLUDE HORSEPOWER: 260 BLACK OVER RED PAINT SCHEME NOTE: FREIGHTLINER MUST PROVIDE PAINT SAMPLES FOR CUSTOMER/DEALER APPROVAL. AIR-RIDE SUSPENSION DRIVER'S SIDE EXHAUST EXIT DISC BRAKES AIR HORNS ALUMINUM SPARE WHEEL/TIRE
1000-0093	1	<b>CHASSIS ORDER SPECIAL COLOR. MED DUTY APPLE RED ELITE EY (TO MATCH NAV2941)</b> The chassis is to be ordered special color from chassis OEM.
1000-0085	1	<b>CHASSIS ORDERED WITH ALUM WHEELS, MD</b> The chassis will include aluminum OEM wheels.
1000-0454	1	<b>PASS THROUGH CAB/MODULE, FREIGHTLINER</b> Install a pass-through opening between the cab and module. Pass-through to include a bellows connection.
1000-0472	1	<b>Freightliner hub and lug nut covers for 10 lugs</b> Install chrome finish hub and lug nut covers for Freightliner 10 lug wheels.
1000-0073	1	<b>TIRE SIZE, 19.5", MEDIUM DUTY:</b>

Spec Writer: **John Cox**Spec Designer: **Chris Haggy****HOFFMAN ESTATES 2025**

		This chassis is specified to have 19.5" tires.
<b>1000-0080</b>	<b>1</b>	<b>CHASSIS IS EQUIPPED WITH HORIZONTAL EXHAUST</b> The chassis specified above is to include a horizontal exhaust.
<b>SR00255072</b>	<b>1</b>	<b>EXHAUST EXIT NOTE</b> Exhaust to exit on driver's side of body forward of rear axle.
<b>1000-0083</b>	<b>1</b>	<b>STANDARD CAB HEIGHT</b> The specified chassis will have the standard cab height.
<b>1000-0269</b>	<b>1</b>	<b>TIRE PRESSURE MONITOR APEX, FREIGHTLINER</b> Install an Apex tire pressure monitoring caps, suitable for use on the Freightliner chassis, on all tires.
<b>1000-0346</b>	<b>1</b>	<b>MUD FLAPS, REAR, LARGE W/LOGO</b> Install individual rear mud flaps behind each set of rear wheels. Mud flaps to include Horton logo.
<b>1000-0088</b>	<b>1</b>	<b>REAR DOCK BUMPERS, WIDE</b> Install two (2) wide style black rubber standard sized dock bumpers. Locate one on either side of the rear step on the end caps.
<b>1000-0090</b>	<b>1</b>	<b>REINFORCE REAR BUMPER END CAPS</b> Reinforce end caps of rear bumper for greater impact resistance.
<b>1000-0313</b>	<b>1</b>	<b>STEP/TANK TRIM SINGLE CAB FL, STD HEIGHT</b> Install diamond plate step well covers on both the curb and street side cab step wells. The covers shall sized appropriately for a standard cab.
<b>1000-0301</b>	<b>1</b>	<b>TANK COVER CLOSEOUT, FREIGHTLINER</b> Diamondplate covers are to be installed over the lower step hangers.
<b>1000-0105</b>	<b>1</b>	<b>REAR TOW HOOKS</b> Install (2) tow hooks rear of vehicle. Attach to bumper frame.
<b>1000-0230</b>	<b>1</b>	<b>REAR STEP/ BUMPER ASSEMBLY, FREIGHTLINER</b> Install a diamondplate rear step/bumper assembly with flip-up center section.
<b>SR00255078</b>	<b>1</b>	<b>RUSTPROOFING - REAR STEP ASSEMBLY</b> Apply rustproofing for bumper hanger assembly and exposed black painted surfaces. Use Fast-dry undercoating.
<b>BODY</b>		
<b>2000-0173</b>	<b>1</b>	<b>AMBULANCE BODY</b> Conversion model is to be a 623 using a Freightliner chassis. Body length is 173".
<b>SR00255085</b>	<b>1</b>	<b>BODY LENGTH INCREASE - 176"</b> Increase the overall body length to 176" per drawing. Additional length to be added aft of axle.
<b>2000-0237</b>	<b>1</b>	<b>CRASH BARRIER SAFETY CONFIGURATION</b> The side access door is to be relocated at the forward most area on the curbside of the body. The space between the door and the head of the bench is to be occupied by an inside/outside access compartment. Compartment to include standard LED strip lighting.
<b>SR00255071</b>	<b>1</b>	<b>CRASH BARRIER CONFIGURATION NOTES</b> INSTALL A CUSTOM DIAMOND PLATE CRASH BARRIER COMPARTMENT BETWEEN THE SIDE ENTRY DOOR AND WHEEL HOUSE WITH DUAL-HINGED EXTERIOR DOORS WITH DUAL NADER PINS. DIMENSIONS INCLUDE 6" DROP. SIZE: 41.12"W x 61.13"H x 21.96"D (ID) INCLUDE SWEEP-OUT FLOOR AND SILL PLATE. INSTALL (3) ADJUSTABLE DIAMOND PLATE SHELVES IN COMPARTMENT. SIZE FLANGE HEIGHT TO BE

Spec Writer: **John Cox**Spec Designer: **Chris Haggy****HOFFMAN ESTATES 2025**

Ambulance Purchase, Page 28 of 47

		<p>FLUSH WITH DRI-DECK.  LOCATE: (1) SHELF AT INTERIOR FLOOR LEVEL  LOCATE: (2) SPACED EVENLY ABOVE IN THE I/O ACCESS.  INTERIOR ACCESS TO EXTEND AS CLOSE TO FLOOR AS POSSIBLE.</p>
2000-0014	1	<p><b>HEADROOM, 74"</b>  The headroom is to be 74".</p>
SR00255082	1	<p>REAR ENTRY DOOR HEIGHT  DO NOT RAISE REAR ENTRY DOORS WITH 74" HEADROOM.</p>
2000-0240	1	<p><b>EMBOSSSED DIAMONDPLATE AT SIDE ENTRY DOOR</b>  Fabricate the side door stepwell using embossed diamond treadplate.</p>
2000-0245	1	<p><b>DOUBLE STEP CURBSIDE ENTRY, 6" DROP SKIRT</b>  Fabricate curbside of body with 6" drop skirt. To include two step side entry.</p>
2000-0247	1	<p><b>NO BODY DROP, STREETSIDE</b>  The streetside body forward of the rear wheels will not have a drop skirt.</p>
2000-0249	1	<p><b>ENHANCED INSULATION PACKAGE</b>  Install the enhanced insulation package.</p>
2000-0250	1	<p><b>SOUND PROOFING/ACOUSTIC ENHANCEMENT PACKAGE</b>  Install standard sound control package.</p>
2000-1050	1	<p><b>ROOF POCKET, AUXILIARY CONDENSER</b>  Install a roof pocket for a CoolTech I unit.</p>
2000-0259	1	<p><b>PRIVACY WINDOWS, FIXED, REAR ENTRY DOORS</b>  Install privacy tinted solid fixed windows in the rear module access doors.</p>
2000-0263	1	<p><b>PRIVACY WINDOW, SLIDING FOR SIDE ENTRY DOOR</b>  Install a sliding tinted privacy window in the side access door.</p>
2000-0265	2	<p><b>EMERGENCY RELEASE, REAR DOORS</b>  Install standard emergency release knobs on top and bottom of the rear module entrance doors.</p>
2000-0704	1	<p><b>EMERGENCY RELEASE, SIDE ACCESS DOOR</b>  Install emergency release knobs on top and bottom of the side module entrance door.</p>
2000-0010	1	<p><b>DOOR HANDLES</b>  Install Tri-Mark free floating style door handles with pre-stretched stainless steel cables. Include three piece interior door panels on all access doors.</p>
2000-0814	1	<p><b>VI-TECH MOUNTING, FREIGHTLINER</b>  Install standard Vi-Tech body mounts.</p>
2000-0269	1	<p><b>STAINLESS STEEL SPLASH SHIELDS</b>  Install brushed stainless splash shields on the lower front face of the body just behind the cab access doors. These splash shields are to be the same height as the diamond plate front corner guards.</p>
2000-0510	1	<p><b>FENDER, STAINLESS</b>  Install a stainless steel fender at the streetside rear wheelwell location. Fender for standard wheel opening with no drop skirt.</p>
2000-0690	1	<p><b>FENDERS, STAINLESS, STD, CS 6" DROP SKIRT</b>  Install a stainless steel fender, for use in conjunction with a 6" drop skirt, at the curbside rear wheelwell location.</p>
2000-0586	1	<p><b>C CHANNEL RUB RAILS</b>  Install 'C' channel style lower body rub rails.</p>

Spec Writer: **John Cox**Spec Designer: **Chris Haggy****HOFFMAN ESTATES 2025**

Ambulance Purchase, Page 29 of 47

SR00255057	1	CURBSIDE FENDER/RUB RAIL CONFIGURATION INSTALL A 3" DROP FENDER FOR CURBSIDE AND EXTEND THE C-CHANNEL RUB RAIL BELOW THE FENDER.
2000-0276	1	<b>EXTENDED DIAMOND PLATE CORNER GUARDS</b> Install extended diamond plate corner guards that extend to the bottom of the paint stripe or pin stripe which ever is applicable.
SR00255053	1	EXTENDED CORNER GUARD HEIGHT NOTE Front passenger's side corner guard to be 36"H. Front driver's side corner guard to be 30"H.
2000-0281	1	<b>REAR DOOR HOLD OPENS, GRABBER</b> Install chrome Cast Products "Grabber" style rear door hold opens. (NOTE: HOLDOPENS MUST BE RELOCATED IF TELESCOPIC LIGHTS ARE ORDERED)
2000-0583	1	<b>ENTRY DOOR THRESHOLDS, LINE-X</b> Apply black Line-X to the side and rear entry door thresholds. Delete the standard anti-slip tape.
2000-0584	1	<b>REAR RISER ADP</b> The rear riser is to be fabricated out of polished aluminum diamondplate.
2000-0684	1	<b>LICENSE PLATE BRACKET, CENTER OF RISER</b> Install a recessed rear license plate bracket centered in the rear riser. Include an LED license plate light.
SR00255058	1	DOOR REFLECTOR - DELETE Delete all stick-on rectangular door reflectors on exterior of body and entry door panels. Do not install.
<b>COMPARTMENTATION</b>		
SR00255091	1	SWEEP-OUT FLOOR CONFIGURATION ALL sweep-out floors shall be fabricated from smooth aluminum with a D/A finish.
2900-1572	1	<b>STREETSIDE FORWARD COMPARTMENTS</b> The height of the streetside front compartment is to be the reduced. An electrical compartment is to be installed above the primary compartment. See drawings for compartment dimensions. Both compartments are to include standard LED strip lighting and single hinged doors. The upper compartment is to include a vent in the door. All electrical components usually installed in the intermediate compartment shall be relocated to this compartment.
SR00255063	1	C-CHANNEL - STREETSIDE FRONT SIZE: 40"H INSTALL 6" FROM LEFT WALL (TO FORWARD EDGE OF THE CHANNEL) AND START 9" ABOVE FLOOR.
2000-0400	1	<b>SS FORWARD COMPT. DIAMONDPLATE</b> The streetside forward compartment is to be fabricated from diamondplate.
2000-0225	1	<b>SWEEP OUT COMPARTMENT FLOOR, SS FRONT</b> Streetside forward compartment floor is to be sweep-out style.
2900-0095	1	<b>SILL PLATES, STREETSIDE FRONT</b> Install a stainless sill plate on the streetside forward compartment.
2900-1575	1	<b>STREETSIDE INTERMEDIATE COMPARTMENT</b>

Spec Writer: **John Cox**Spec Designer: **Chris Haggy****HOFFMAN ESTATES 2025**



		The height of the streetside intermediate compartment is to be reduced to allow space for an interior cabinet located below the interior countertop. See drawings for compartment dimensions. Compartment is to include standard LED strip lighting and double hinged doors.
<b>SR00255081</b>	<b>1</b>	<b>DIAMOND PLATE CLOSEOUT - STREETSIDE INTERMEDIATE</b> Provide a diamond plate closeout in conjunction with the suction drawer in the inhalation area riser.
<b>2000-0402</b>	<b>1</b>	<b>SS INTRMDT COMPT. DIAMONDPLATE</b> The streetside intermediate compartment is to be fabricated from diamondplate.
<b>2000-0624</b>	<b>1</b>	<b>SWEEP OUT COMPARTMENT FLOOR SS INTERMEDIATE COMPT</b> Streetside intermediate compartment floor is to be sweep-out style.
<b>2900-4005</b>	<b>1</b>	<b>SILL PLATES, STREETSIDE INTERMEDIATE</b> Install a stainless sill plate on the streetside intermediate compartment.
<b>8000-0145</b>	<b>1</b>	<b>SS WHEELWELL COMPARTMENT, DELETE</b> Vehicle is not equipped with a streetside wheelwell compartment.
<b>2900-1827</b>	<b>1</b>	<b>STREETSIDE REAR COMPARTMENT 67.01H X 44.44W</b> The streetside rear compartment is to be custom sized per dimensional information provided. See drawings for compartment dimensions. Compartment is to include standard LED strip lighting and double hinged doors.
<b>2000-0404</b>	<b>1</b>	<b>SS REAR COMPT. DIAMONDPLATE</b> The streetside rear compartment is to be fabricated from diamondplate.
<b>2900-0145</b>	<b>3</b>	<b>ADJUSTABLE SHELF STREETSIDE REAR (1) 22" ABOVE FLOOR ADJ UPWARD, (1) LEFT &amp; (1) RIGHT OF DIVIDER BELOW THE LOWER FULL WIDTH SHELF</b> Install diamond plate adjustable shelving in the streetside rear compartment. Locate as noted.
<b>2900-0222</b>	<b>1</b>	<b>FIXED VERTICAL DIVIDER, STREETSIDE REAR CENTERED BETWEEN FLOOR AND LOWER ADJUSTABLE SHELF. DO NOT ATTACH DIVIDER TO THE SHELF.</b> Install a 16" deep fixed vertical divider in the streetside rear compartment. Locate as noted above.
<b>2900-0216</b>	<b>1</b>	<b>TOOL MOUNTING PLATE; STREETSIDE REAR</b> Install a .25" thick aluminum plate on the back wall of the streetside rear compartment. Plate is to have a D/A finish. Install (2) aluminum 'C' channels to the wall and secure the plate using the 'C' channels.
<b>SR00255054</b>	<b>1</b>	<b>TOOL PLATE NOTE</b> SIZE: 30"H x FULL WIDTH LOCATE: UPPER BACK WALL PER DRAWING C-CHANNEL LOCATION: - (1) 7.5" FROM CEILING - (1) 29.50" FROM CEILING INSTALL FULL USABLE WIDTH CHANNELS HORIZONTALLY ON BACK WALL. DIMENSIONS ARE ON-CENTER.
<b>SR00255055</b>	<b>1</b>	<b>CARGO NETS - STREETSIDE REAR</b> INSTALL (2) CARGO NETS BELOW THE LOWER FULL WIDTH SHELF PER DRAWING. LOCATE: (1) FROM THE CENTER DIVIDER TO THE LEFT WALL LOCATE: (1) FROM THE CENTER DIVIDER TO THE RIGHT WALL ATTACH WITH (12) LARGE FOOTMAN LOOPS: - (3) ON LEFT WALL AND (3) ON THE DIVIDER - (3) ON RIGHT WALL AND (3) ON THE DIVIDER INCLUDE VELCRO STRAPS TO LOOP THROUGH AND PULL TIGHT AROUND THE FOOTMAN LOOPS.
<b>2000-0608</b>	<b>1</b>	<b>SWEEP OUT COMPARTMENT FLOOR SS REAR COMPT</b> Streetside rear compartment floor is to be sweep-out style.

Spec Writer: **John Cox**Spec Designer: **Chris Haggy****HOFFMAN ESTATES 2025**

Ambulance Purchase, Page 31 of 47

2900-4007	1	<b>SILL PLATES, STREETSIDE REAR</b> Install a stainless sill plate on the streetside rear compartment.
2900-1829	1	<b>CURBSIDE REAR COMPARTMENT 83.62" H X 32.61" W</b> The curbside rear compartment is to be custom sized per dimensional information provided. See drawings for compartment dimensions. Compartment is to include standard LED strip lighting and a single hinged door.
2000-0409	1	<b>CS REAR COMPT. FLAT ALUMINUM</b> The curbside rear compartment is to be fabricated from flat aluminum.
2900-2913	1	<b>LINED COMPARTMENT, CURBSIDE REAR</b> Spray the curbside rear compartment with Line-X lining. Material color is noted below.
SR00255092	1	LINE-X NOTE - CURBSIDE REAR Do not coat floor or ceiling.
2900-0149	1	<b>FIXED SHELF CURBSIDE REAR 42" FROM FLOOR RIGHT SIDE OF DIVIDER</b> Install a fixed diamond plate shelf in the curbside rear compartment using (4) cast shelf brackets, (2) for right wall, (2) for left wall. Install cast brackets directly to the compartment walls. Locate shelf as noted.
2900-0148	1	<b>ADJUSTABLE SHELF CURBSIDE REAR SPACED EVENLY ABOVE FIXED</b> Install diamond plate adjustable shelving in the curbside rear compartment. Locate as noted.
2900-4070	1	<b>FIXED VERTICAL DIVIDER, CURBSIDE REAR 13" FROM RH WALL</b> Install a 16" deep fixed vertical divider in the curbside rear compartment. Locate as noted above.
2900-2915	1	<b>LINED DIVIDER, CURBSIDE REAR 13" FROM RH WALL</b> Spray the specified curbside rear compartment divider with Line-X lining. Material color is noted below.
2900-0266	1	<b>ROK BACKBOARD STRAP CURBSIDE REAR CENTERED LEFT SIDE OF THE DIVIDER</b> Install a Rok buckle style backboard strap in the designated compartment.
2000-0611	1	<b>SWEEP OUT COMPARTMENT FLOOR CS REAR COMPT</b> Curbside rear compartment floor is to be sweep-out style.
2900-4001	1	<b>STAIR CHAIR POCKET, CURBSIDE REAR</b> A stair chair pocket is to be recessed into the curbside rear compartment inner door panel. The pocket shall be installed as close to the bottom and hinged side of door as possible. See drawings for dimensions.
2900-2956	1	<b>STAIR CHAIR MODEL, STRYKER #6252</b> A Stryker #6252 stair chair will be stored as noted. This is for sizing/placement purposes only. Horton is not to supply this equipment.
2900-4008	1	<b>SILL PLATES, CURBSIDE REAR</b> Install a stainless sill plate on the curbside rear compartment.
8000-0090	1	<b>CS INTRMDT COMPT, DELETE</b> Vehicle is not equipped with a curbside intermediate compartment.
8000-0143	1	<b>CURBSIDE FRONT COMPT DOOR DELETE</b>
3000-0126	1	<b>PULL OUT TRAY FOR 3-BATTERY SYSTEM</b> Install a custom battery tray for (3) batteries in the battery storage location.
2900-4081	1	<b>LINE-X LINER COLOR, BLACK</b> The specified Line-X lining is to be black in color.
2900-1204	1	<b>DRI DECK, BLACK</b> Black Dri-Deck is to be installed on the floor and shelving of all exterior compartments. To include tapered edge trim pieces where applicable.

Spec Writer: **John Cox**Spec Designer: **Chris Haggy****HOFFMAN ESTATES 2025**

Ambulance Purchase, Page 32 of 47

PAINT AND GRAPHICS		
5000-0189	1	<b>MODULE PAINT BLACK - FLNA40119, RED: NAV2941</b> The module body is to be painted a special paint color and paint code as noted above.
SR00255070	1	MODULE PAINT - BLACK OVER RED (WITH WHITE ROOF) MATCH MODULE PAINT TO OEM CHASSIS PAINT. PAINT THE MODULE ROOF EXTRUSIONS BLACK FROM THE BOTTOM OF THE DRIP RAIL UPWARD (INCLUDING THE DRIP RAILS). PAINT THE MODULE ROOF INSET WHITE.
SR00255113	1	360 CAMERA COVER COLOR PAINT RED TO MATCH MODULE.
5000-0014	1	<b>PAINT PANEL: SAMPLE BLACK - FLNA40119, RED: NAV2941</b> A painted test panel shall be prepared with the paint color and number noted above,
SR00255056	1	SCOTCHLITE STRIPE - RUB RAILS INSTALL A .750" BLACK SCOTCHLITE STRIPE THROUGH THE CENTER OF THE C-CHANNEL RUB RAILS.
5000-0081	1	<b>DIAMONDGRADE CHEVRON, FULL REAR Fluorsecent Yellow Green, Red</b> Install full rear body chevron pattern using Diamondgrade material. Install inboard or vertical corner posts and below upper drip rail.
SR00255069	1	CHEVRON PINSTRIPE - REAR FACE OUTLINE ENTIRE BORDER OF CHEVRONS WITH A RED, NON-REFLECTIVE .50" VINYL PINSTRIPE TO MATCH RED CHEVRONS AS CLOSELY AS POSSIBLE.
5000-0071	1	<b>STAR OF LIFE, 36"</b> Install 36" star of life on the module body roof per 'K' requirements..
SR00255087	1	DELETE RED REFLECTIVE STRIPS AND KKK CHEVRONS ON PATIENT ACCESS DOOR PANELS. Dealer will install K chevrons.
INTERIOR FEATURES		
2000-1120	1	<b>POLYCARBONATE COLOR: LIGHT TINT</b> All polycarbonate doors to be 'light tint'.
2000-0827	2	<b>COUNTERTOP, GRAY GRANITE (1) Inhalation Area, (1) Crash Barrier</b> Install solid surface countertop(s) in lieu of stainless steel. Material is to include radiused and tapered corners and is to have a polished finish. Color is to be Gray Granite. Locate as noted above.
SR00255095	1	COUNTER REINFORCEMENT - INHALATION AREA REINFORCE INHALATION AREA COUNTERTOP FOR MONITOR MOUNT.
SR00255096	1	SOLID SURFACE SPACER PROVIDE A GRAY GRANITE SPACER FOR MONITOR MOUNT.
2000-0299	1	<b>STAINLESS STEEL-INHALATION AREA WALLS:</b> The rear and side walls bordering the inhalation area are to be covered with brushed stainless steel.
2000-0301	1	<b>STAINLESS STEEL-INHALATION PANEL:</b> The inhalation panel is to be fabricated from brushed stainless steel. All edges are to be filed.
2000-0643	1	<b>SILVER METALLIC CG TECH INTERIOR COLOR</b>

Spec Writer: **John Cox**Spec Designer: **Chris Haggy****HOFFMAN ESTATES 2025**

		The patient area walls, inner door panels and inhalation panel (EXCLUDING the main cabinet wall and associated areas such as the action area, CPR seat and telemetry area when equipped) are to be finished with Silver Metallic CG Tech material. Requires stainless risers and lower door panels.
SR00255111	1	<b>FLOORING</b> INSTALL LONCOIN FLECKSTONE BLACK ONYX #150 (NO TS, NO UV) FLOORING.
2000-0324	1	<b>STAINLESS STEEL RISERS</b> Install stainless steel on the interior risers. If a cabinet riser accent stripe is ordered the stainless steel will stop at the bottom edge of the stripe.
2000-0325	1	<b>STAINLESS STEEL LOWER DOOR PANELS</b> Finish lower section of inside patient compartment doors with stainless steel.
SR00255109	1	<b>STAINLESS LOWER DOOR PANEL NOTE</b> The lower door panels shall extend upward to adjoin the center panels containing the door lock bezel. No CG-Tech to be exposed.
2000-0669	1	<b>WHITE CABINET COLOR</b> All interior cabinetry is to be painted White.
2000-0709	1	<b>CABINET PAINT TO BE SMOOTH</b> The specified cabinet paint is to have a smooth finish.
2000-3014	1	<b>GUNMETAL VACU-FORM VINYL COLOR</b> All seat cushions, backrests and vinyl closeouts are to be covered in Gunmetal colored material.
2000-3011	1	<b>VACUFORMED UPHOLSTERY</b> All seat cushions including head and back cushions are to be vacuformed style with .5" overhang. All closeouts are to be covered with matching material and installed per standard. Head, backrest and HOPS cushions are to be made and attached per standard. Bucket seats to be specified separately.
2000-0326	1	<b>STANDARD FIXED SEATBASE</b> Install the standard aluminum fixed seat base for the attendant's seat specified.
SR00255114	1	<b>SEAT BASE OFFSET - 2"</b> Install the standard aluminum fixed seat base for the specified attendant seat. Extend the top plate 2" and install the seat 2" inboard from standard to provide adequate clearance between the seat and the main wall cabinetry.
2000-1620	1	<b>USSC CHILD, BLACK 4-POINT, GUNMETAL</b> Install a vacu-formed Gunmetal USSC high back bucket seat with integral child safety seat and black 4pt seatbelt and safety vest. The seat to be adjustable front to rear and is to be mounted at the head of the cot.
2000-1754	1	<b>OCCUPANT RESTRAINT. HEAD OF BENCH, BLACK</b> Install an MBrace 4-pt seatbelt at the head position of the squad bench. Color is to be black.
2000-1758	1	<b>OCCUPANT RESTRAINT. FOOT OF BENCH, BLACK</b> Install an MBrace 4-pt seatbelt at the foot position of the squad bench. Color is to be black.
2000-1024	1	<b>INFANT SEAT ANCHORAGE</b> Install infant seat mount at the foot of the bench.
2000-0605	1	<b>ALUMINUM INTERIOR CABINETS</b> All interior cabinets are to be fabricated from aluminum.
3000-1118	1	<b>TUBULAR AIRBAG, ATTENDANT'S SEAT</b> Install a tubular airbag at the attendant's seat. Unit uses an angled upper inhalation cabinet and does not include a cabinet beneath the main countertop.

Spec Writer: **John Cox**Spec Designer: **Chris Haggy****HOFFMAN ESTATES 2025**

Ambulance Purchase, Page 34 of 47

3000-1125	1	<b>HEAD CURTAIN AIRBAG, ATTENDANT'S SEAT</b> Install a head curtain air bag for the attendant's seat for use with a standard linen cabinet.
3000-1126	1	<b>AIRBAG SENSOR</b> Install the standard airbag sensor in the standard location.
3000-1127	1	<b>TUBULAR AIRBAG, CPR SEAT LOCATION.</b> Install a tubular airbag forward of the CPR seat.
2000-0575	1	<b>CABINET TRIM RADIUSED</b> Install smooth radiused trim molding on all applicable interior cabinets.
2900-0211	1	<b>IV HANGER, CP WITH RUBBER ARM COT WAIST Per Drawing</b> Install a Cast Products recessed IV hanger with rubber arm over the cot waist area.
2900-0208	1	<b>IV HANGER, CP WITH RUBBER ARM BENCH WAIST Per Drawing</b> Install a Cast Products recessed IV hanger with rubber arm over the bench waist area.
2000-0569	1	<b>GRAB RAIL: 6FT WITH ANTI-MIC, OVER BENCH Outboard of Curbside Dome Lights per Drawing</b> Install a standard style 6' main grab rail with anti-microbial coating. Locate offset toward the bench wall in the patient area ceiling.
2000-0417	1	<b>GRAB RAIL: 8FT ANTI-MICROBIAL, OVER COT Outboard of Streetside Dome Lights per Drawing</b> Install a standard style 8' main grab rail with anti-microbial coating. Locate offset toward the main wall over the cot position in the patient area ceiling.
2000-0418	1	<b>VERTICAL GRAB RAIL, 2' ANTI-MICROBIAL BOLSTER</b> Install a standard style 2' grab rail with anti-microbial coating. Locate on the bench bolster at the side access door angled upward toward the forward end.
2000-0573	1	<b>VERT GRAB RAIL, 2 FT. ANTI-MICROBIAL MAIN WALL</b> Install a standard style 2' grab rail with anti-microbial coating. Locate to the street side just inside the rear entry doors mounted vertically.
2000-0574	1	<b>VERT GRAB RAIL, 2 FT. ANTI-MIC REAR DOORS</b> Install a standard style 2' grab rail with anti-microbial coating. Locate to the curb side just inside the rear entry doors mounted vertically.
2000-0419	1	<b>PATIENT DOOR GRAB RAILS: ANTI-MICROBIAL</b> Install standard 'V' shaped grab rails with anti-microbial coating. Locate on the interior door panels of all three patient entry doors.
2000-0423	1	<b>CEILING MATERIAL, PLATINUM WHITE COMPOSITE</b> The standard module ceiling material shall be platinum white aluminum composite.
2000-0578	1	<b>FIRE EXTINGUISHERS: 5LB ABC SHIP LOOSE</b> Supply and ship loose a five lb ABC fire extinguisher.
2000-0579	1	<b>FIRE EXTINGUISHERS: 5LB ABC SHIP LOOSE</b> Supply and ship loose a second five lb ABC fire extinguisher.
SR00255051	1	<b>GLOVE STORAGE ABOVE REAR ENTRY DOORS</b> Glove storage for (2) single glove boxes shall be provided in the closeout above the rear entry doors. Include hinge-up padded doors with oval access openings and ball-catch latches. Glove Box Size: 10.5"W X 5.5"H X 4"D
<b>STREETSIDE CABINETRY</b>		
2000-0337	1	<b>LINEN CABINET</b> Install a standard storage cabinet behind the attendant seat.
SR00255068	1	<b>LINEN CABINET DOOR NOTE</b> INSTALL WILSONART DESIGNER WHITE LAMINATE ON THE LOWER LINEN CLOSET DOOR FOR USE AS A DRY ERASE SURFACE. LABEL DOOR "DRY ERASE".

Spec Writer: **John Cox**Spec Designer: **Chris Haggy****HOFFMAN ESTATES 2025**

Ambulance Purchase, Page 35 of 47

<b>SR00255099</b>	<b>1</b>	<b>ELECTRONICS CABINET SCAB</b> INSTALL A SCAB ON THE RIGHT SIDE OF THE ELECTRONICS CABINET DOOR TO ALLOW IT TO CLEAR THE FRONT WALL GLOVE BOX.
<b>2900-1076</b>	<b>1</b>	<b>FIXED SHELF, UPPER LINEN CLOSET</b> Fab and install a fixed aluminum shelf in the upper section of the linen cabinet. Shelf is to be painted to match the cabinet color.
<b>2900-1079</b>	<b>1</b>	<b>ADJUSTABLE SHELF MIDDLE 1 LINEN CLOSET</b> Fab and install an adjustable aluminum shelf in the middle section of the linen cabinet. Shelf is to be painted to match the cabinet color.
<b>2900-1080</b>	<b>1</b>	<b>FIXED SHELF, LINEN CLOSET, CENTER SECTION</b> Fab and install a second fixed aluminum shelf in the middle section of the linen cabinet. Shelf is to be painted to match the cabinet color.
<b>2900-2029</b>	<b>2</b>	<b>SOLID LAMINATE-COVERED LINEN CLOSET DOOR</b> Install hinged solid doors on the linen cabinet. Cover in laminate to match the interior.
<b>2900-1070</b>	<b>1</b>	<b>PIANO HINGE FOR LINEN CLOSET TOP DOOR</b> The upper linen cabinet door(s) is/are to use piano style hinge.
<b>2900-1072</b>	<b>1</b>	<b>PIANO HINGE FOR LINEN CLOSET MIDDLE DOOR</b> The middle linen cabinet door(s) is/are to use piano style hinge.
<b>2900-1056</b>	<b>1</b>	<b>SOUTHCO LOCKING LATCH, LINEN CABINET DOOR TOP,</b> Install a stainless flush mount Southco locking pull latch on the upper linen cabinet door.
<b>2900-1064</b>	<b>1</b>	<b>SS LATCH FOR LINEN CLOSET DOOR MIDDLE</b> Install a stainless flush mount Southco non-locking pull latch on the middle linen cabinet door.
<b>2000-0343</b>	<b>1</b>	<b>STREETSIDE WALL WITH CPR SEAT</b> Street side cabinet wall to include a CPR seat.
<b>2000-1762</b>	<b>1</b>	<b>OCCUPANT RESTRAINT. CPR SEAT, BLACK</b> Install an MBrace 4-pt seatbelt at the CPR seat position. Color is to be black.
<b>SR00255086</b>	<b>1</b>	<b>CPR SEAT WIDTH, 44"</b> CPR seat width to be 44"W per drawing.
<b>SR00255106</b>	<b>1</b>	<b>CPR SEAT SCAB COVERING</b> Install matching flooring material on the scab area behind the CPR seat to match what is provided on the bench area scab.
<b>2900-4087</b>	<b>1</b>	<b>ANGLED UPPER CABINET, FORWARD OF CPR SEAT</b> The upper cabinet forward of the CPR seat is to be angled.
<b>2900-4094</b>	<b>1</b>	<b>STRAIGHT UPPER CABINET, AFT OF CPR SEAT 14.75H X 43.5W X 16D</b> The upper cabinet aft of the CPR seat is to be straight with no angle.
<b>2000-1162</b>	<b>1</b>	<b>POLYCARBONATE SLIDING, REAR CPR CABINET</b> Cabinet specified above is to have sliding polycarbonate doors.
<b>2900-1169</b>	<b>1</b>	<b>FIXED VERTICAL DIVIDER, REAR CPR CABINET CENTERED IN CABINET (NOT OPENING) PER DRAWING</b> Install a fixed aluminum vertical cabinet divider.
<b>2900-1171</b>	<b>2</b>	<b>ADJUSTABLE SHELVING, REAR CPR CABINET</b> Install painted adjustable shelving in upper cabinet aft of the CPR seat.
<b>2900-1164</b>	<b>1</b>	<b>LIFT UP CABINET FRAMES, REAR CPR CABINET</b>

Spec Writer: **John Cox**Spec Designer: **Chris Haggy****HOFFMAN ESTATES 2025**

		Install a flip-up restocking cabinet frame on cabinet noted above. Includes gas shocks and latches.
<b>2900-4103</b>	<b>1</b>	<b>LIFT UP CABINET FRAMES, UPPER INHALATION CABINET</b> Install a flip-up restocking cabinet frame on cabinet noted above. Includes gas shocks and horizontal latches.
<b>2000-2058</b>	<b>1</b>	<b>UPPER INHALATION CABINET 14.75H x 40.75W x 16D</b> Upper inhalation cabinet dimensions are to be as noted above. Note that dimensions are I.D.
<b>2000-1156</b>	<b>1</b>	<b>POLYCARBONATE SLIDING, UPPER INHALATION CABINET</b> Cabinet specified above is to have sliding polycarbonate doors.
<b>2900-1094</b>	<b>2</b>	<b>INTERIOR SHELVING, UPPER INHALATION CABINET</b> Install painted adjustable shelving in upper inhalation cabinet.
<b>2900-1092</b>	<b>1</b>	<b>FIXED VERTICAL DIVIDER, UPPER INHALATION CABINET CENTERED IN CABINET</b> Install a fixed aluminum vertical cabinet divider.
<b>2000-2059</b>	<b>1</b>	<b>LOWER INHALATION CABINET 12.75H X 23.75W X 16D</b> Cabinet below the inhalation area dimensions are to be as noted above. Note that dimensions are I.D.
<b>2000-1159</b>	<b>1</b>	<b>POLYCARBONATE SLIDING, LOWER INHALATION</b> Cabinet specified above is to have sliding polycarbonate doors.
<b>2000-0344</b>	<b>1</b>	<b>PULL OUT WRITING TABLE</b> Install a pull out writing table below the inhalation counter top. The writing surface is to be positioned for use at the attendant seat location.
<b>SR00255047</b>	<b>1</b>	<b>SMITHWORKS IV WARMER CABINET</b> Install a cabinet below the writing tray to house the Smithworks IV warmer (spec'd separately). Size: Per drawing Include a flip-down Polycarbonate door with piano hinge, gas hold open, and flush pull ring latch.
<b>SR00255093</b>	<b>1</b>	<b>PULL OUT WRITING TABLE NOTE</b> INSTALL WILSONART DESIGNER WHITE LAMINATE THE TOP OF THE WRITING TABLE FOR DRY ERASE USE. LABEL "DRY ERASE"
<b>2000-0347</b>	<b>1</b>	<b>STORAGE BENEATH THE CPR SEAT</b> Provide a hinged CPR seat cushion with storage located underneath.
<b>2000-0349</b>	<b>2</b>	<b>GAS HOLD OPEN FOR LIFT UP CPR SEAT CUSHION</b> Provide a gas holdopen on the flip-up CPR seat cushion to keep the cushion in the upright position when opened.
<b>SR00255048</b>	<b>1</b>	<b>CPR SEAT - GAS HOLD OPEN NOTE</b> Install (1) gas hold open on each end of cushion.
<b>2000-0348</b>	<b>1</b>	<b>RECESSED PADDLE LATCH. CPR SEAT</b> Provide a recessed paddle latch in the cabinet riser to secure access to the CPR seat storage area.
<b>SR00255064</b>	<b>1</b>	<b>SUCTION DRAWER</b> Install a pull-out drawer to house the suction canister and vacuum outlet in the inhalation area riser per drawing. Size: 9"W x 9"H x 11"D (All I.D. dimensions) Drawer to have a Poly face with a tubing notch. Include Large side-mounted slides and a flush pull ring latch. All surfaces of drawer tray to be non-painted with a D/A finish.

<b>SR00255112</b>	<b>1</b>	<p><b>SHARPS STORAGE DRAWER - INHALATION AREA</b>  Install a pull-out drawer to house (1) #8970 sharps container below the rear portion of the inhalation area countertop per drawing.  Size: 7.75"W x 10.875"H x 16"D (All I.D. dimensions)  Drawer face to be solid trimmed edge construction.  Include Large side-mounted slides and a flush pull ring latch.  All surfaces of drawer tray to be non-painted with a D/A finish.</p>
<b>CURBSIDE CABINERY</b>		
<b>2000-0359</b>	<b>1</b>	<p><b>SQUAD BENCH WITH NO CUPS OR WELLS</b>  Provide storage under the squad bench lid/cushion(s). The area shall run where possible under the bench. The storage pan is to be fabricated from aluminum and painted to match the interior.</p>
<b>8000-0056</b>	<b>1</b>	<b>BENCH END RESTRAINT FOR USE WITH HOPS, DELETE</b>
<b>SR00255052</b>	<b>1</b>	<p><b>CRASH BARRIER DRAWER</b>  LOCATE: AISLE FACING SIDE OF CRASH BARRIER  SIZE: AS LARGE AS POSSIBLE WITH SPACE LEFT OVER FOR MEDVAULT INSTALLATION FORWARD OF THE DRAWER  INCLUDE STOP TO AVOID CONTACT WITH COT.  INCLUDE LARGE SIDE-MOUNTED SLIDES AND A FLUSHPULL RING LATCH.  ALL DRAWER TRAY SURFACES TO BE NON-PAINTED WITH A D/A FINISH.  INSTALL WILSONART DESIGNER WHITE LAMINATE ON THE DRAWER FACE FOR DRY ERASE USE. LABEL "DRY ERASE".</p>
<b>SR00255059</b>	<b>1</b>	<p><b>CARGO NET - INSIDE/OUTSIDE ACCESS TO CRASH BARRIER</b>  Install a cargo net to cover the aisle side of the inside/outside access opening of the crash barrier compartment. Net to be removable for cleaning purposes.  Include (4) Ferno buckle-style straps spaced evenly across top Mount the vertical straps with the female ends attached to the top and bottom of the net. Include Ancra clips at bottom.</p>
<b>SR00255110</b>	<b>1</b>	<p><b>CUSTOMER-SUPPLIED MINI MED VAULT</b>  INSTALL A CUSTOMER-SUPPLIED SURFACE MOUNT KNOX MINI-MED VAULT ON FORWARD AISLE-FACING END OF CRASH BARRIER PER DRAWING.</p>
<b>2000-0743</b>	<b>1</b>	<p><b>SINGLE CUSHION SQUAD BENCH</b>  The squad bench cushion is to be one piece.</p>
<b>2000-0380</b>	<b>1</b>	<p><b>BENCH HOLD OPENS: GAS</b>  Install gas spring hold opens on squad bench lid.</p>
<b>SR00255084</b>	<b>1</b>	<p><b>BENCH HOLD OPEN NOTE</b>  Install (1) gas hold open at each end of the reduced length squad bench.</p>
<b>2000-0585</b>	<b>1</b>	<p><b>BENCH HOLD-DOWN: PADDLE LATCHES (SINGLE)</b>  Install a recessed paddle latch into the squad bench riser to retain the squad bench lid in the closed position.</p>
<b>2000-0382</b>	<b>1</b>	<p><b>BENCH CUSHION EDGE TRIM:</b>  Trim bench cushion edge with protective aluminum trim, to protect horizontal edge of squad bench cushion from tears.</p>
<b>2000-1790</b>	<b>2</b>	<b>BENCH BACK CUSHION, GUNMETAL</b>

Spec Writer: **John Cox**Spec Designer: **Chris Haggy****HOFFMAN ESTATES 2025**

Ambulance Purchase, Page 38 of 47



		The MBrace backrest cushions for the bench seating positions are to be Gunmetal #8539 in color. Seat cushion and closeout colors are listed separately.
<b>2000-1795</b>	<b>1</b>	<b>CPR SEAT BACK CUSHION, GUNMETAL</b> The MBrace backrest cushions for the CPR seat are to be Gunmetal #8539 in color. Seat cushion and closeout colors are listed separately.
<b>2900-0119</b>	<b>2</b>	<b>BENCH CABINET, HINGED DOORS</b> Fabricate and install a bench ceiling cabinet above the squad bench with lift up Lexan doors.
<b>2900-1130</b>	<b>4</b>	<b>SOUTHCO LATCH OVERHEAD BENCH CABINET</b> Install stainless flush mount Southco pull latches on the bench ceiling cabinet.
<b>2900-1135</b>	<b>12</b>	<b>SELF CLOSING HINGE FOR OVERHEAD BENCH CABINET</b> The bench ceiling cabinet door(s) is/are to use self-closing style hinges.
<b>SR00255098</b>	<b>1</b>	<b>BENCH CEILING CABINET NOTES</b> CABINET TO BE (2) EQUAL SIZED CABINETS. EACH CABINET TO HAVE (2) POLYCARBONATE HINGE-UP DOORS WITH GAS HOLD OPENS.
<b>2900-1134</b>	<b>2</b>	<b>FIXED DIVIDER, BENCH CEILING CABINET UPPER CABINETS, (1) CENTERED IN EACH CABINET</b> Install a fixed aluminum vertical cabinet divider.
<b>2900-0136</b>	<b>1</b>	<b>PASS-THROUGH ACCESS, CURBSIDE REAR</b> Provide I/O access into the curbside rear compartment per drawings.
<b>2900-0401</b>	<b>1</b>	<b>CS REAR I/O ACCESS DOOR, SOLID HINGED</b> The compartment pass-through specified above is to have a solid vertically hinged door.
<b>2900-0403</b>	<b>1</b>	<b>CS REAR I/O DOOR HINGE, PIANO STYLE</b> The curbside rear I/O door is to use a piano style hinge.
<b>2900-0405</b>	<b>1</b>	<b>CS REAR I/O DOOR LATCH, SOUTHCO SS</b>
<b>FRONT WALL CABINETRY</b>		
<b>2000-1404</b>	<b>1</b>	<b>CAB TO MODULE PASSTHROUGH WINDOW</b> Provide a sliding pass-through window between the patient area and the chassis cab on the cab side.
<b>SR00255067</b>	<b>1</b>	<b>FRONT WALL RECESS POCKET - PORTABLE OXYGEN STORAGE</b> INSTALL A FRONT WALL RECESS ABOVE STEP WELL FOR (2) ZICO #QR-D-2 PORTABLE OXYGEN CYLINDER BRACKETS (SPEC'D SEPARATELY). NOTE: BRACKETS WILL PROTRUDE OUT INTO STEPWELL APPROXIMATELY 4". REINFORCE WALL AS NECESSARY.
<b>SR00255083</b>	<b>1</b>	<b>FRONT WALL GLOVE STORAGE</b> INSTALL A STORAGE CABINET FOR (3) GLOVE BOXES ABOVE THE PASS-THROUGH OPENING PER DRAWING. RECESS AS MUCH AS POSSIBLE. CABINET TO HAVE A TOP-HINGED POLYCARBONATE DOOR WITH OVAL CUT OUTS, (2) SELF CLOSING HINGES AND SOUTHCO LATCH. PAD ALL EXPOSED EDGES. GLOVE BOX SIZE: 10.5"H x 5.5"W x 4.0"D
<b>COT MOUNT</b>		
<b>SR00255090</b>	<b>1</b>	<b>POWER LOAD PRE-WIRE</b> Install a pre-wire for a Power Load system. Wire Power Load pre-wire 350 to circuit #165 (Battery Hot). Coil and cap beneath the module floor for a center mount cot.  SPECIAL NOTE: The Litter Fastener/Anchorage you have selected for this order does not meet the performance requirements of the SAE J3027- Recommended Practice for Ambulance Litter Integrity,

Spec Writer: **John Cox**Spec Designer: **Chris Haggy****HOFFMAN ESTATES 2025**

Ambulance Purchase, Page 39 of 47

		Retention and Patient Restraint. Section 3.11.6 of KKK-A-1822F, as revised July 1, 2015 (Change Notice 8), requires that the installed litter fastener device for wheeled cots meets the performance requirements of SAE J3027. Individual requirements for your State may also be applicable and should be reviewed. Based on your litter fastener selection, this ambulance will not be compliant with KKK-A 1822F in that specific respect.
<b>VISUAL WARNING</b>		
<b>3000-1231</b>	<b>1</b>	<b>FRONT LIGHTBAR</b> Install a front lightbar as noted.
<b>SR00255062</b>	<b>1</b>	4500 SERIES - FRONT LIGHT BAR MODEL: WHELEN 4500 (86") WITH CLEAR LENSES AND TOP MOUNTED ICC LIGHTS CONFIGURE: [G][W][G][B][700 STROBE][700 STROBE][B][R][W][R] WIRE THE STROBE LIGHTS TO A PE-215 POWER SUPPLY LOCATED IN THE STREETSIDE ELECTRICAL COMPARTMENT TO FUNCTION AS A PRE-EMPTION SYSTEM. INCLUDE A SEPARATE ON/OFF SWITCH LABELED "OPTICOM". TWO 700 SERIES STROBES. WE-CAD LAYOUT PROVIDED.
<b>3000-0038</b>	<b>1</b>	<b>LIGHT BAR MOUNT: FRONT FACE, FLUSH</b> Install the specified front lightbar on the front face of the body.
<b>3000-0043</b>	<b>2</b>	<b>LIGHT BAR MOUNT: REAR FACE OF BODY</b> Install the specified rear lightbar on the rear face of the body.
<b>SR00255088</b>	<b>1</b>	4500 SERIES - REAR LIGHT BAR MODEL: WHELEN 4500 (86") WITH CLEAR LENSES AND TOP MOUNTED ICC LIGHTS CONFIGURE: [R][R][R][LL][A][LL][G][G][G] PROGRAM ICC LIGHTS FOR BRAKE ACTIVATION. DUPLICATE PREVIOUS #19540. WE-CAD LAYOUT PROVIDED.
<b>3000-1236</b>	<b>1</b>	<b>WHELEN TAL85, EIGHT LED TRAFFIC ADVISOR</b> Install a Whelen TAL85, eight LED, 46.82" traffic advisor on the rear face of the ambulance body. Wire for operation through the Horton electrical system. Do not use a Whelen control head.
<b>3000-1808</b>	<b>1</b>	<b>WIG WAG HEADLIGHTS, FREIGHTLINER</b> Install wig wag headlight flasher. Provide a dedicated switch in the front control panel. Deactivate with high beams and in secondary mode.
<b>3400-5006</b>	<b>1</b>	<b>M6 RED/CLEAR LENS STREETSIDE GRILLE LIGHT</b> Install Whelen M6 series LED lights as noted. Lights to be red with clear lenses. Lights to include chrome flanges and flash pattern programmability from the front control panel.
<b>3300-5014</b>	<b>4</b>	<b>M7 R/B SPLIT/CLEAR LENS (2) CHASSIS INTERSECTION LIGHTS - SIDES OF HOOD FORWARD OF AIR HORNS, (2) ABOVE MODULE FENDERS (RED PORTION FORWARD)</b> Install Whelen M7 series LED lights as noted. Lights to be red/blue split with clear lenses. Lights to include chrome flanges and flash pattern programmability from the front control panel.
<b>3200-5016</b>	<b>2</b>	<b>M9 AMBER/CLEAR LENS (2) REAR FACE, WINDOW LEVEL</b> Install Whelen M9 series LED lights as noted. Lights to be amber with clear lenses. Lights to include chrome flanges and flash pattern programmability from the front control panel.
<b>3000-5018</b>	<b>7</b>	<b>M9 RED/CLEAR LENS (1) FRONT FACE, STREETSIDE, OUTBOARD BELOW THE LIGHT BAR, (2) STREETSIDE, (2) CURBSIDE, (2) REAR FACE ABOVE TURN ARROWS</b>

Spec Writer: **John Cox**Spec Designer: **Chris Haggy****HOFFMAN ESTATES 2025**

		Install Whelen M9 series LED lights as noted. Lights to be red with clear lenses. Lights to include chrome flanges and flash pattern programmability from the front control panel.
<b>3000-0136</b>	<b>1</b>	<b>FLASH PATTERN, VARIABLE A,B</b> Program the emergency lighting flash pattern to variable A/B.
<b>SR00255060</b>	<b>1</b>	STRIP-LITE PLUS - RUB RAIL LIGHTS INSTALL (6) WHELEN STRIP-LITE PLUS LED LIGHTS WITH CLEAR LENSES AND CHROME FLANGES IN C-CHANNEL RUB RAILS PER DRAWING. LOCATE: (3) PER SIDE - [R][B] [R]
<b>SR00255061</b>	<b>1</b>	M9 GREEN/CLEAR LENS - FRONT FACE INSTALL A WHELEN M9 GREEN LED LIGHT WITH CLEAR LENS AND CHROME FLANGE. LOCATE: CURBSIDE FRONT FACE, OUTBOARD BELOW THE LIGHT BAR
<b>SR00255080</b>	<b>1</b>	M6 GREEN/CLEAR LENS - GRILLE LIGHT INSTALL A WHELEN M6 GREEN LED LIGHT WITH CLEAR LENS AND CHROME FLANGE. LOCATE: CURBSIDE GRILLE LIGHT
<b>AUDIBLE WARNING</b>		
<b>2000-0434</b>	<b>1</b>	<b>AIR HORNS: OEM ON HOOD, WITH CHASSIS</b> The chassis is to include OEM airhorns.
<b>SR00255105</b>	<b>1</b>	AIR HORN ACTIVATE HORTON TO INSTALL CENTER PULL LANYARD
<b>3000-0170</b>	<b>1</b>	<b>SIREN, WHELEN WS295SLSC1 T1 - Wail T2 - Yelp T3 - Piercer</b> Install a Whelen WS295SLSC1 siren in the front console.
<b>3000-1544</b>	<b>1</b>	<b>SPEAKERS, CAST PRODUCTS, FREIGHTLINER</b> Install Cast Products siren speakers, applicable to Freightliner chassis, in the front bumper.
<b>NON-EMERGENCY LIGHTING</b>		
<b>3000-0208</b>	<b>1</b>	<b>KKK SIDE BODY MARKER LIGHTS, M6 SERIES LED (PAIR)</b> Install red Whelen M6 series LED turn/marker lights on each rear side of the module body. Lights provide module body night time side lighting visibility and turning signal indication. Lights do not flash with warning lights unless otherwise specified. Includes chrome flanges.
<b>SR00255049</b>	<b>1</b>	KKK MARKER LIGHT LOCATION NOTE Locate on rear compartment doors - same position each side.
<b>3000-0217</b>	<b>1</b>	<b>LED EXTERIOR COMPARTMENT LIGHTING</b> Install full height LED strip lighting in all exterior compartments with the exception of any wheelwell compartments. Install vertical strips inside both sides of each compartment. The lights are to be directed toward the back of each compartment.
<b>3000-0240</b>	<b>1</b>	<b>M9 SERIES LED SCENE LIGHT, STREETSIDE FRONT</b> Install a Whelen M9 LED side scene light with chrome flange on the upper streetside forward portion of the body.
<b>3000-0741</b>	<b>1</b>	<b>M9 SERIES LED SCENE LIGHT, STREETSIDE REAR</b> Install a Whelen M9 LED side scene light with chrome flange on the upper streetside rear portion of the body.
<b>3000-0748</b>	<b>1</b>	<b>M9 SERIES LED SCENE LIGHT, CURBSIDE FRONT</b>

Spec Writer: **John Cox**Spec Designer: **Chris Haggy****HOFFMAN ESTATES 2025**

		Install a Whelen M9 LED side scene light with chrome flange on the upper curbside forward portion of the body.
<b>3000-0762</b>	<b>1</b>	<b>M9 SERIES LED SCENE LIGHT, CURBSIDE REAR</b> Install a Whelen M9 L.E.D. side scene light with chrome flange on the upper curbside rear portion of the body.
<b>3000-1754</b>	<b>1</b>	<b>RED WARNING, TOP, SIDE ACCESS DOOR</b> Install a Tecniq red L.E.D. light strip on the upper curbside access door inner panel. Installation will be near flush with the inner door panel. The light strip is to flash when the access door is open, and the emergency lighting is activated.
<b>3000-1759</b>	<b>2</b>	<b>RED WARNING LIGHTS, TOP, ACCESS DOORS</b> Install Tecniq red L.E.D. light strips on the upper rear module access door inner panels, one (1) per door. Installation will be near flush with the inner door panels. The light strips are to flash when the access doors are open, and the emergency lighting is activated.
<b>3000-1444</b>	<b>1</b>	<b>TAIL LIGHTS, M6/M9 SERIES, HORIZONTAL MOUNTED</b> Install Whelen M6 series LED stop/tail and reverse lights. and M9 series turn arrows. Install the stop/tail and reverse lights in the rear riser/kick plate with brake/tail outboard. Install the turn signals above in the rear body panels. Lights to include chrome flanges.
<b>ELECTRICAL</b>		
<b>3000-0018</b>	<b>1</b>	<b>ELECTRIC DOOR LOCKS COMPARTMENT EXTERIOR</b> Install power activated door locks on all exterior compartment doors. Locks to be activated by a switch at each patient area access door. Locks may be overridden by a door key.
<b>3000-0019</b>	<b>1</b>	<b>ELECTRIC DOOR LOCKS ACCESS DOORS INTERIOR</b> Install power activated door locks on all patient area access doors. Locks to be activated by a switch at each patient area door. Locks may be overridden by a manual slide lever or by the door key.
<b>3000-0022</b>	<b>1</b>	<b>ELECTRIC DOOR LOCKS WIRED TO OEM SWITCHES</b> The specified power door locks are to be wired to the chassis OEM door lock switches.
<b>3000-0451</b>	<b>1</b>	<b>ELECTRIC DOOR LOCKS CONCEALED LICENSE PLATE</b> Install a concealed switch in the license plate bracket to operate the power door lock circuit. Doors shall be wired to unlock only on this circuit.
<b>3000-1265</b>	<b>1</b>	<b>IV WARMER, SMITHWORKS CABINET BELOW WRITING TRAY PER DRAWING</b> A Smithworks IV warmer will be installed as noted. The warmer will be wired to 12V ignition activated power, and be shoreline activated. Requires (1) 12v outlet selected separately.
<b>SR00255107</b>	<b>1</b>	<b>ELECTRICAL SYSTEM</b> Install the Intelliplex i4G+ electrical system.
<b>3000-0305</b>	<b>1</b>	<b>INPOWER BATTERY SWITCH, WITH WAKE BUTTON 5 min.</b> Install an Inpower electronic battery switch. Switch is to activate battery power through the vehicle ignition and is to include an automatic shutdown timer to deactivate battery power after the ignition is turned off. To include a wake button installed on the front console to activate the electrical system without using the key.
<b>3000-1515</b>	<b>1</b>	<b>LIFESINE INVERTER/CHARGER, AUTO SWITCHED</b> Install a Vanner #LSC12-1100 LifeSine Inverter/charger in the dedicated electrical compartment as noted. Unit is to function through the vehicle ignition. Status panels are selected separately.
<b>3000-2151</b>	<b>1</b>	<b>VANNER CHARGER/STATUS PANEL</b> Install a Vanner charger/status panel in standard locations.
<b>3000-0310</b>	<b>6</b>	<b>110V INTERIOR OUTLET (2) FORWARD INHALATION AREA, (2) CURBSIDE WALL ABOVE CRASH BARRIER, (2) CRASH BARRIER COMPARTMENT - BACK WALL LOWER FORWARD CORNER PER DRAWING (SURFACE MOUNTED) - See Drawings</b>

Spec Writer: **John Cox**Spec Designer: **Chris Haggy****HOFFMAN ESTATES 2025**

Ambulance Purchase, Page 42 of 47

		Install a 110V outlet(s) as noted.
3000-0549	4	<b>INTERIOR 12VDC OUTLETS: CL TYPE/USB (1) FORWARD INHALATION AREA, (1) CURBSIDE WALL ABOVE CRASH BARRIER, (1) CRASH BARRIER COMPARTMENT - BACK WALL LOWER FORWARD CORNER PER DRAWING (SURFACE MOUNTED), (1) 12V ONLY FOR SMITHWORKS IV WARMER LOCATION - See Drawings</b> Install a 12VDC cigarette style/USB outlet(s) as noted. Wire battery hot.
SR00255050	1	USB PORTS INSTALL (2) KUSSMAUL 091-219-5 USB CHARGING PORTS. LOCATE: (1) CENTERED AT REAR OF CONSOLE FACE PLATE LOCATE: (1) INSIDE THE CONSOLE BELOW THE TOP PLATE - PASSENGER SIDE FORWARD
3000-1462	1	<b>SHORELINE 1, 20A SUPER AUTO EJECT, RED</b> Mount a Kussmaul Super Auto Eject 20 amp shoreline inlet in the standard location. Cover is to be red.
3000-1489	1	<b>SHORELINE 2, 20A SUPER AUTO EJECT, BLUE</b> Mount a secondary Kussmaul Super Auto Eject 20 amp shoreline inlet in the standard location. Cover is to be blue.
3000-1500	1	<b>PD BOX LOCATION, LEFT HAND SIDE, SS INT. COMPARTMENT</b> Install the power distribution panel on the left hand side of the streetside intermediate compartment. Close off this area from the remainder of the compartment.
3000-0328	1	<b>KUSSMAUL EZ PLATE, 20A SUPER AUTO EJECT #1</b> Install a Kussmaul EZ Plate for the selected 15/20A Super Auto Eject shoreline #1.
3000-2163	1	<b>KUSSMAUL EZ PLATE, 20A SUPER AUTO EJECT #2</b> Install a Kussmaul EZ Plate for the selected 15/20A Super Auto Eject shoreline #2.
3000-0327	1	<b>EXTRA 12VDC CIRCUIT BREAKER: INTERMEDIATE COMPT</b> An extra circuit breaker shall be installed in the streetside intermediate compartment.
3000-0332	1	<b>REPORT LIGHT, LED</b> Install a 12" LED report light on the action wall to light the counter area.
SR00255103	1	TECNIQ E06 SERIES - STEP WELL LIGHT Install (1) Tecniq #E06-WS00-1 4" round LED light with stainless steel trim ring. Locate: RH side of stepwell - below front wall Configure: Light to activate with door open
3000-0338	1	<b>CLOCK, INTELLITEC LED: OVER REAR DOORS</b> Install an Intellitec Time Manager clock over the rear doors.
3000-0346	1	<b>2.5" CAB CEILING LIGHTS, WHITE/RED LED</b> Install (2) combination white/red LED dome lights in the cab headliner. Locate one light over the driver and one light over the passenger. Wire to a switch in the front control panel and provide 'OFF'. 'CLEAR' and 'RED' selections.
3000-0359	10	<b>PATIENT CEILING DOME LIGHTS WHELEN LED</b> Install Whelen 80COEHCR LED dome lights in the patient area ceiling. The lights will have a high/low feature with the switch in the rear control panel.
3000-0522	1	<b>3 SWITCH PANEL BOLSTER FACE STEP WELL</b> Install an i4G 3-switch control panel on the bench bolster facing the stepwell.
3000-2100	1	<b>TIMER, DOME LIGHTS. STEPWELL</b> Install an electronic momentary touch timer switch in the specified I4g switch panel on the side of the bolster facing the side stepwell. The switch will enable time limited operation of the specified dome lights with the battery switch in the 'off' position. Set timer to 15 minutes.

Spec Writer: **John Cox**Spec Designer: **Chris Haggy****HOFFMAN ESTATES 2025**

Ambulance Purchase, Page 43 of 47

3000-0524	1	<b>3 SWITCH PANEL OVERHEAD OF BENCH</b> Install an i4G 3-switch control panel on the bench curbside wall over the head of the bench.
3000-2102	1	<b>TIMER, DOME LIGHTS, OVERHEAD BENCH</b> Install an electronic momentary touch timer switch in the specified I4g switch panel on the wall over the head of the squad bench. The switch will enable time limited operation of the specified dome lights with the battery switch in the 'off' position. Set timer to 15 minutes.
3000-0525	1	<b>3 SWITCH PANEL REAR DOOR PANEL</b> Install an i4G 3-switch control panel on the right rear entry door panel.
3000-2103	1	<b>TIMER, DOME LIGHTS, REAR DOOR PANEL</b> Install an electronic momentary touch timer switch in the specified I4g switch panel on the right rear door panel. The switch will enable time limited operation of the specified dome lights with the battery switch in the 'off' position. Set timer to 15 minutes.
3000-5042	1	<b>DUMP OVERRIDE, i4G, REAR DOOR PANEL</b> Install the dump override switch in the panel selected for the right rear entry door inner panel.
3000-1235	1	<b>NORCOLD REFRIGERATOR: LINEN CABINET</b> Install a Norcold NR740BB-H 12V refrigerator in the linen cabinet.
3000-0601	1	<b>SPOT LIGHT: HAND HELD: ON REAR CAB WALL</b> Install a Star-Lite LED hand held spotlight with momentary switch on the bulkhead behind the driver's seat.
3000-0007	1	<b>BACKUP ALARM RESET, MOMENTARY</b> Install a back-up alarm and provide a momentary backup alarm reset button on the front console.
SR00255073	1	12V PRE-WIRES Install (3) 12v pre-wires to power a Streamlight charging base or similar accessory. Locate: (1) CRASH BARRIER COMPARTMENT, LOWER REAR WALL Locate: (1) STREETSIDE REAR COMPARTMENT, UPPER LEFT CORNER Locate: (1) KNOX MINI MEDVALUT - AISLE FACING SIDE OF CRASH BARRIER Configure: BATTERY HOT
3000-1905	1	<b>360 CAMERA SYSTEM, WHITE</b> Install a Horton 360 Degree camera system with white covers and integral lighting. The lighting is to have the ability to function in emergency response mode. The display will function in conjunction with the turn signals and when the vehicle is in reverse gear. Install rear housing if space is available. If space is unavailable then install camera only.
3000-0032	1	<b>CAMERA LOCATION: OVER REAR DOORS, INTERIOR</b> The integrated camera system noted is to include a camera installed over the rear doors on the vehicle interior for use as a patient compartment monitor.
SR00255066	1	CAMERA MONITOR/FUNCTION Install a Brigade Elite #2146 BE-870FM 7" windshield mounted monitor and required cabling. System to default to interior camera view upon ignition.
<b>PROGRAMMING</b>		
SR00255075	1	AUTO LOCK FUNCTION Disable auto lock function.
6000-0001	1	<b>LIGHT PROGRAMMING: SIDE REAR SCENE</b> The side rear scene lights shall be wired to transmission reverse, plus standard mode of operation.
6000-0002	1	<b>LIGHT PROGRAMMING: RIGHT SIDE SCENE</b>

Spec Writer: **John Cox**Spec Designer: **Chris Haggy****HOFFMAN ESTATES 2025**

		The right side scene lights shall come "on" when the side patient door is opened.
<b>SR00255102</b>	<b>1</b>	<b>SCENE LIGHT PROGRAMMING</b> PROGRAM THE SCENE LIGHTS TO ACTIVATE WITH THE RESPECTIVE SIDE COMPARTMENT DOOR OPENINGS.
<b>6000-0003</b>	<b>1</b>	<b>LIGHT PROGRAMMING: LOAD LIGHT</b> Program the rear load lights to activate with transmission reverse plus the standard mode of operation.
<b>6000-0018</b>	<b>1</b>	<b>WHITE LIGHT CUTOFF SWITCH</b> Provide a switch in the front control panel to deactivate all forward facing white lights. This includes wig wag flashers if ordered.
<b>SR00255100</b>	<b>1</b>	<b>REAR WARNING LIGHT DIMMING</b> Program all rear facing warning lights to dim to 50% intensity when vehicle is in "Drive". Lights to be at full power in "Park".
<b>6000-0006</b>	<b>1</b>	<b>PROGRAMMING: AUDIBLE LOW VOLTAGE ALARM</b> Program an audible alarm to activate if the voltage drops below 11.8 volts for 120 seconds.
<b>6000-0007</b>	<b>1</b>	<b>LIGHT PROGRAMMING: PARK BRAKE</b> Program a warning to display on the front console readout advising to set the Parking Brake when the module disconnect switch is "ON" and the transmission is placed in "PARK" or "NEUTRAL". It will also advise to Disengage the Parking Brake should the vehicle be placed into gear.
<b>3000-1269</b>	<b>1</b>	<b>MODULE DISCONNECT, DEFAULT TO "ON"</b> Program the Module Disconnect to 'On' with battery activation.
<b>HVAC</b>		
<b>3000-4028</b>	<b>1</b>	<b>12V/110V HVAC, ATTENDANT'S SEAT</b> Install a ProAir Pre-charged 12V/110V heat/AC system with brushless motor below the attendant seat.
<b>SR00255065</b>	<b>1</b>	<b>12V/110V - HEAT/AC CONTROLLER</b> INSTALL THE CONTROLLER ON THE FORWARD INHALATION WALL PER DRAWING.
<b>3000-3012</b>	<b>1</b>	<b>COOLTECH I, FL.</b> Install a Cool-Tech I 4-fan 100,000 BTU condenser in the recessed pocket in the roof of the body.
<b>SR00255077</b>	<b>1</b>	<b>NFPA VENT COVERS - ALUMINUM PAINTED</b> An NFPA compliant venting system, to include a 400cfm exhaust fan along with a static vent, is to be installed. Install 9.5" aluminum covers (without manufacturer's logo) on both vents per drawings. The covers shall be painted to match the body color. Activation of the venting system is to be through the rear control panel.
<b>RADIO</b>		
<b>3000-0432</b>	<b>1</b>	<b>ANTENNA COAX 1 Start: Cab Console, End: Front Center of Mod Roof</b> An RG 58U coax shall be installed terminating as noted above.
<b>3000-0608</b>	<b>1</b>	<b>ANTENNA COAX 2 Start: Cab Console, End: Center of Mod Roof</b> An RG 58U coax shall be installed terminating as noted above.
<b>3000-0609</b>	<b>1</b>	<b>ANTENNA COAX 3 Start: Inhalation Wall, End: Rear Center of Mod Roof</b> An RG 58U coax shall be installed terminating as noted above.
<b>3000-0434</b>	<b>1</b>	<b>3/8" NMO MOUNT COAX 1</b> Supply and install a 3/8" NMO mount in conjunction with specified coax #1.
<b>3000-0618</b>	<b>1</b>	<b>3/8" NMO MOUNT COAX 2</b>

Spec Writer: **John Cox**Spec Designer: **Chris Haggy****HOFFMAN ESTATES 2025**

		Supply and install a 3/8" NMO mount in conjunction with specified coax #2.
<b>3000-0619</b>	<b>1</b>	<b>3/8" NMO MOUNT COAX 3</b> Supply and install a 3/8" NMO mount in conjunction with specified coax #3.
<b>3000-1174</b>	<b>1</b>	<b>PULL WIRE 1 Start: Cab Console, End: Inhalation Wall</b> Install a radio cable pull wire terminating as noted above. Wire is not to be wire tied or otherwise prevented from moving freely.
<b>3000-0441</b>	<b>1</b>	<b>RADIO PULL WIRE CONDUIT</b> Install a radio pull wire conduit. Termination points are to be determined by the the termination points of the specified pull wire.
<b>SR00255094</b>	<b>1</b>	<b>PULL WIRE CONDUIT NOTE</b> Run pull wire through 2" continuous smooth-wall conduit.
<b>3000-0624</b>	<b>1</b>	<b>REAR RADIO HEAD PANEL: BLANK 3</b> A blank removable panel shall be installed in the inhalation panel for future installation of radio heads as noted.
<b>SR00255089</b>	<b>1</b>	<b>FRONT CONSOLE - FREIGHTLINER M2 CHASSIS</b> Install standard console for Freightliner M2 chassis. Any specified console extension shall be attached to the standard console.
<b>SR00255104</b>	<b>1</b>	<b>MICROPHONE CLIP SPACE</b> LEAVE ROOM BETWEEN THE RADIO PANEL AND THE I4G PANEL FOR HANGING A MICROPHONE.
<b>1000-0414</b>	<b>1</b>	<b>CONSOLE, LINE-X, W/MAP STORAGE, FREIGHTLINER</b> Fabricate and install an aluminum cab console and spray with black Line-X material. Console is to include three (3) map/book slots at the rear of the console.
<b>SR00255079</b>	<b>1</b>	<b>CONSOLE EXTENSION NOTES</b> Locate 360 camera control on upper left corner of angled panel Console extension to be 22.5"L Radio faceplate to be 14"L with siren centered at front. Locate selected cup holders in rear corner. USB outlet (spec'd separately) to be centered at rear of plate. Include map book storage with (2) adjustable dividers at rear. Duplicate #19540 as closely as possible considering chassis change.
<b>SR00255108</b>	<b>1</b>	<b>4-SLOT MAP BOOK HOLDER</b> SHIP LOOSE A 4-SLOT BLACK LINE-X COATED MAP BOOK HOLDER.
<b>1000-0179</b>	<b>1</b>	<b>CUP HOLDERS, 2-TIER</b> Install two (2) two-tier style cup holders recessed into the console.
<b>SR00255101</b>	<b>1</b>	<b>(2) RADIO POWER/GROUND</b> Install three 6-gauge cables with 50-amp capacity to positive and ground studs for radio power. Wire one battery hot, one ignition switched, and one ground. Locate: (1) Set inside front console Locate: (1) Set behind inhalation panel
<b>OXYGEN</b>		
<b>4000-0001</b>	<b>1</b>	<b>O2 MOUNT, VERT TRACK FOR QRM-V</b> Vertical track for mounting of a QRM-V O2 bottle mount shall be welded on the back wall of the streetside forward compartment in the right hand corner. Bracket will be set up for an 'M' sized bottle.

Spec Writer: **John Cox**Spec Designer: **Chris Haggy****HOFFMAN ESTATES 2025**

Ambulance Purchase, Page 46 of 47



<b>4000-0018</b>	<b>1</b>	<b>O2 BOTTLE, BRACKET QRM-V</b> Install a Zico QRM-V oxygen bracket for 'M' bottle. Locate in the streetside forward compartment.
<b>SR00255097</b>	<b>1</b>	<b>OXYGEN ACCESS DOOR</b> Provide access to the oxygen cylinder valve through the wall as depicted on the drawings. The oxygen access door shall be hinged so that it swings into the patient care area of the module. Door material is to match other selected cabinet doors. The opening shall be 7"W x 11"H and trimmed with anodized aluminum. Include a Southco flush pull ring latch.
<b>4000-0022</b>	<b>3</b>	<b>O2 OUTLET, OHIO MEDICAL (1) In Inhalation Panel, (2) CEILING PER DRAWING</b> Install O2 outlets per instructions above. Outlets to be Ohio Medical style.
<b>4000-0025</b>	<b>1</b>	<b>OXYGEN WRENCH</b> Install oxygen wrench in oxygen compartment. Mount securely to wall. Mount with length of chain or cable to allow for use without being removed from the compartment.
<b>3000-0642</b>	<b>1</b>	<b>VACUUM OUTLET, OHIO MEDICAL (1) Pull out suction drawer</b> Install a single Ohio style vacuum outlet. Locate per drawings.
<b>4000-0185</b>	<b>1</b>	<b>ASPIRATOR, SSCOR, PULL-OUT, SS REAR</b> Install an SSCOR aspirator. The system shall include a wall mounted regulator and a canister holder. Plumb to the selected pump.
<b>4000-0184</b>	<b>1</b>	<b>VACUUM PUMP CFP #107CDC20</b> Install a CFP #107CDC20 12vdc electric suction pump.
<b>SR00255076</b>	<b>1</b>	<b>D BOTTLE MOUNT: QR-D-2 SINGLE, STRAPLESS</b> Install (2) Zico #QR-D-2 Quic-release strapless D-cylinder oxygen brackets per drawing. Locate: Front wall recess area
<b>CERTIFICATIONS</b>		
<b>7000-0001</b>	<b>1</b>	<b>KKK-A-1822F CERTIFICATION LABEL</b> The vehicle shall have weight/payload, electrical load and KKK-A-1822F certification stickers installed in the O2 compartment.