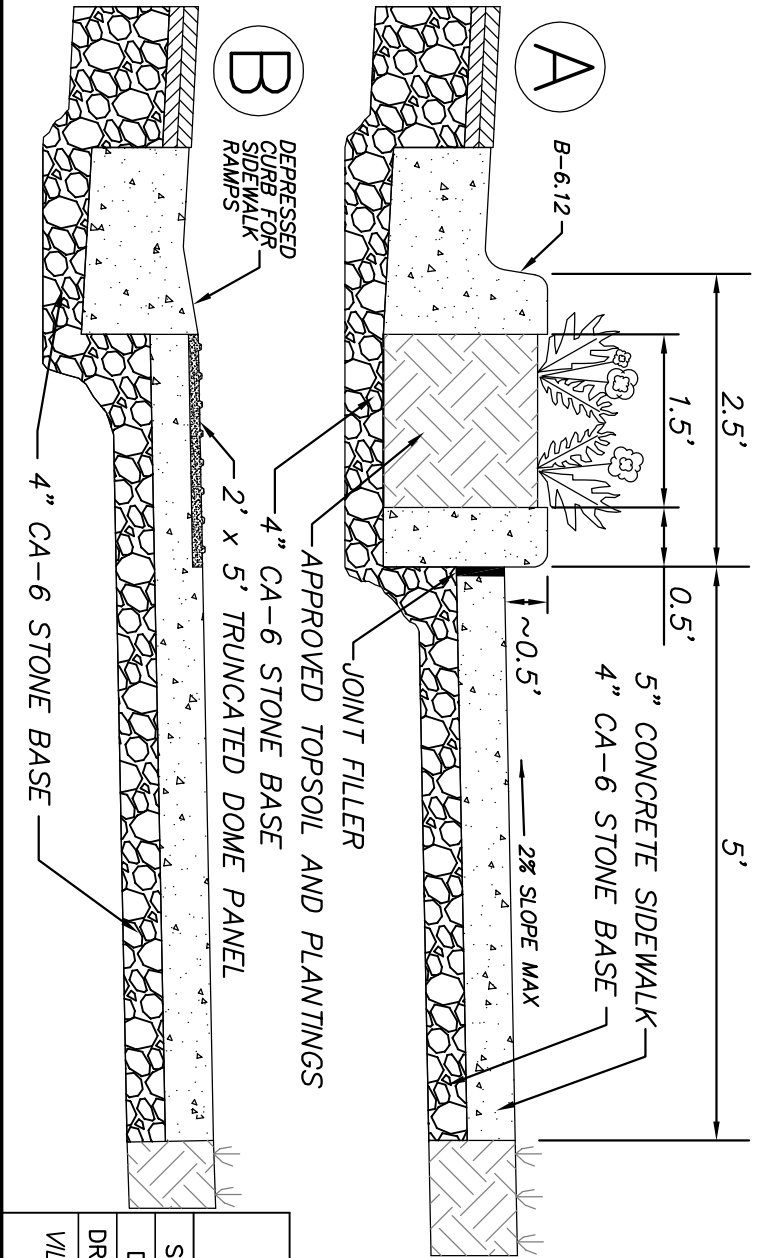
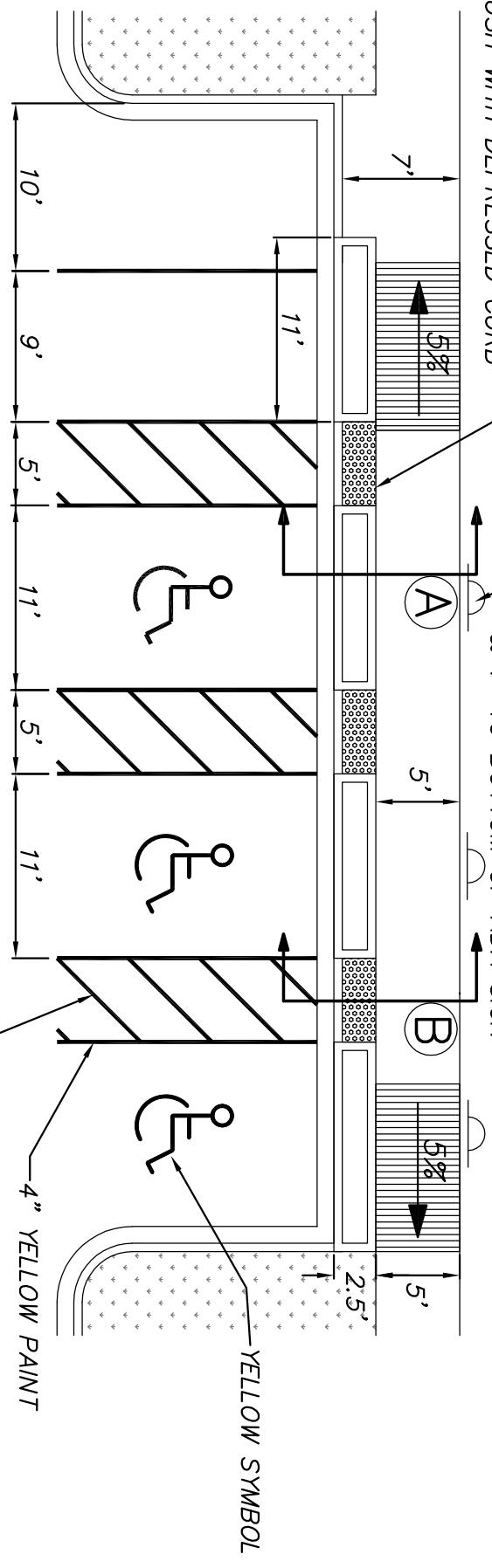


2' x 5' TRUNCATED DOME PANEL
(MUST BE PRE-FABRICATED
WITH A MINIMUM COMPRESSIVE
STRENGTH OF 10,000 psi)
FLUSH WITH DEPRESSED CURB

HANDICAP SIGN R7-8 (12"X18")
R7-101 (12"x6", \$250 FINE)
CENTERED IN PARKING STALL &
LOCATED DIRECTLY BEHIND SIDEWALK
& 7' TO BOTTOM OF ADA SIGN

NOTE: STRIPING CAN USE
EITHER 11' AND 5'
OR 8' AND 8'



APPROVED PLANT LIST

Scientific Name	Common Name	Size
Deciduous Shrubs		
Caryopteris x clandonensis	Blue Mist Shrub	2 gal
Hypericum kalmianum	Kalm St. Johnswort	2 gal
Potentilla fruticosa 'Pink Beauty'	Pink Beauty Cinquefoil	2 gal
Ribes alpinum 'Pumila'	Dwarf Alpine Currant	2 gal
Spiraea x burinalda 'Magic Carpet'	Magic Carpet Spiraea	2 gal
Spiraea japonica 'Martyann'	Dakota Goldcham@ Spiraea	2 gal
Spiraea japonica 'Golden Elf'	Golden Elf Spiraea	2 gal
Spiraea japonica 'Lemon Princess'	Lemon Princess Spiraea	2 gal
Ornamental Grasses		
Festuca glauca 'Elijah Blue'	Blue Fescue Grass	1 gal
Pennisetum alopecuroides 'Hameln'	Dwarf Fountain Grass	1 gal

NOTE: PERENNIALS ARE ACCEPTABLE FOR USE. OTHER SPECIES NEED TO BE APPROVED BY THE VILLAGE.

PLANTER BOX DETAIL

SCALE	NONE	NO.	REVISIONS	BY	DATE
DATE	2-26-07	1.	MISC UPDATES	SLW	2/10
DRAFTER	NOR & SW				
VILLAGE OF HOFFMAN ESTATES ENGINEERING DIVISION			FILE NAME: PLANTBOX.DWG	SHEET NO. 1 OF 1	